

DUMMY CIRCUIT BREAKER

DUMMY & WATERTIGHT PUSH PULL CB



84 404 001



84 404 011



84 404 004



84 411 860



84 313 626



84 404 007

CHOICE BY CIRCUIT BREAKER SIZE

Small Model Single Pole DPMU

Initial Family	Signal contact	Ref.	Conformity	Barrel threadings			Terminal screw		Control button	Technical file
				M12-0.75	M12-100	7/16	H8-32	M4		
Reset button	Yes	84 404 001	ABS0064		●		●		Active	
84 401 0xx	Yes	84 404 002	E0486A01		●				Pushed in	SP4361
84 405 0xx (push-push)	No	84 404 003			●				Without	SP4362
84 400 0xx (MS3320)	No	84 404 004				●	●		Pushed in	SP4365
84 402 0xx	No	84 404 005			●			●	Pushed in	SP4369
84 401 8xx	Yes	84 404 006	E0486B01		●		●		Without	
Frog legs	No	84 404 009				●	6-32UNC2A		Without	SP9903
Frog legs	Yes	84 404 010				●	6-32UNC2A		Without	SP9904
84 402 0xx	No	84 404 011			●			●	Pushed in	SP9910
Frog legs	Yes	84 404 013			●			●	Without	SP9914
84 401 6xx	Yes	84 404 015	E0486B05		●		●		Without	

Small Model Three Pole DPMT

Initial Family	Signal contact	Ref.	Conformity	Barrel threadings			Terminal screw		Control button	Technical file
				M12-0.75	M12-100	7/16	H8-32	M4		
84 411 8xx	Yes	84 404 007	E0486B03		●		●		Without	
84 411 860	Yes	84 411 860	E0486A03		●		●		Pushed in	

Big Model Single Pole DGMU

Initial Family	Signal contact	Ref.	Conformity	Barrel threadings			Terminal screw		Control button	Technical file
				M12-0.75	M12-100	7/16	H8-32	M4		
84 306 65x	Yes	84 404 016	E0486B06	●			●			

Big Model Three Pole DGMT

Initial Family	Signal contact	Ref.	Conformity	Barrel threadings			Terminal screw		Control button	Technical file
				M12-0.75	M12-100	7/16	H8-32	M4		
84 313 6xx	Yes	84 313 626	E0486A04	●			●		Pushed in	SP4347
84 313 0xx	No	84 313 044		●				●	Pushed in	SP4335
84 313 6xx	YES	84 404 014	E0486B04	●			●		Without	

CHOICE BY STANDARD

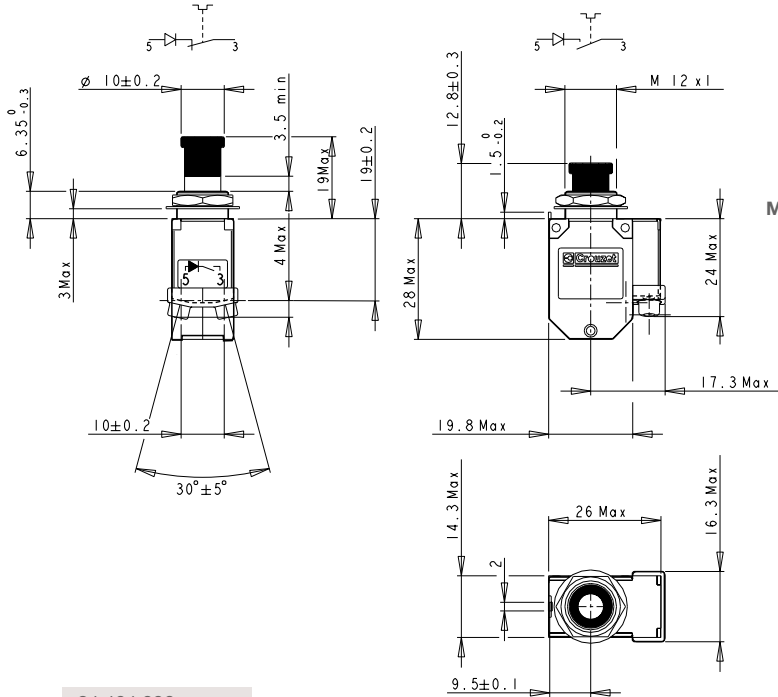
ASNE0486	EN4728	Corresponding functional Circuit Breaker	Model code	Dimension & Alt Hardware	Part-number
E0486B01	EN4728B01C	EN2995-004	B (no control button)	01 C	84 404 006
E0486B03	EN4728B03C	EN2996-004	B (no control button)	03 C	84 404 007
E0486B04	EN4728B04C	EN3672-006	B (no control button)	04 C	84 404 014
E0486B05	EN4728B05C	EN2995-005	B (no control button)	05* C	84 404 015
E0486B06	EN4728B06C	EN3661-006	B (no control button)	06 C	84 404 016

* No power terminals

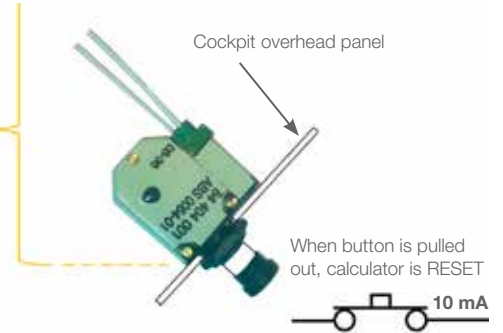
› To understand attachment hardware codification, please see page 19.

DIMENSIONS

84 404 001

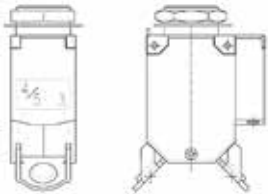


Watertight according to MIL PRF8805-E

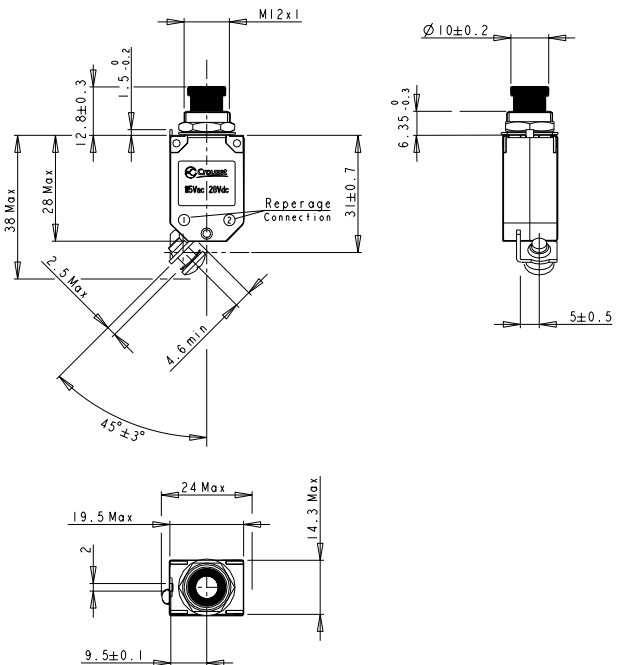


When button is pulled out, calculator is RESET
Due to the upside down position of the CB and watertightness, there is no water ingress even with condensation

84 404 006



84 404 011



PANEL CUTOUT RECOMMENDATION

› Thickness 1.6 mm → 3 mm

Please, refer to the according technical file