



A COMPANY OF STPI GROUP

D50 & DS50 Military Specified

Meets MIL-PRF-6106

General Characteristics

Number of Poles:

Dimensions:

Weight:

1 Form Z (SPDT)

2.75" x 1.12" x 2.28"

(69.9mm x 28.5mm x 57.9mm)

0.43 lb. (195 grams)

Switching Characteristics

Operate Time @ 25°C:

Release Time @ 25°C:

Bounce Time:

Mechanical Life:

25 ms Max.

25 ms Max.

2 ms Max.

100,000 Cycles

Environmental Characteristics

Temperature Range:

Vibration (Sinusoidal):

Shock (any axis):

Seal:

-70°C to +125°C

15g 10-2,000 Hz

25g, 11 ms

Hermetic (1x10⁻⁸ atm cm³/s)

Electrical Characteristics

Contact Voltage Drop (at rated resistive load)

-Initial:

-After Guaranteed Life:

Dielectric Strength

Coil to Case @ Sea Level

-Initial @ 60 Hz:

All Other Points @ Sea Level

-Initial @ 60 Hz:

Insulation Resistance

-Initial:

Back EMF (Transient Voltage):

150 mV Max.

175 mV Max.

1,050 Vrms

1,050 Vrms

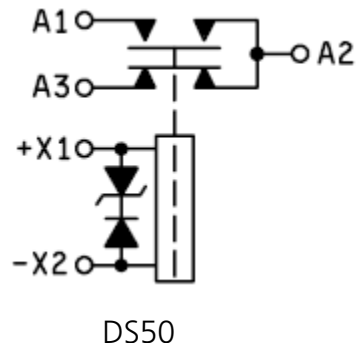
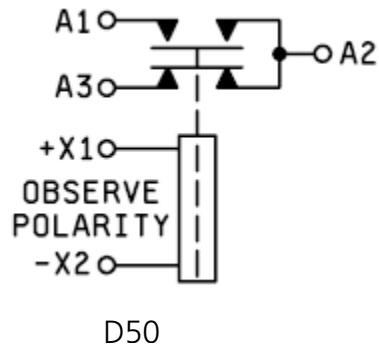
100 MΩ Min, @ 500 Vdc

42 Vdc Max. (DS50 Only)

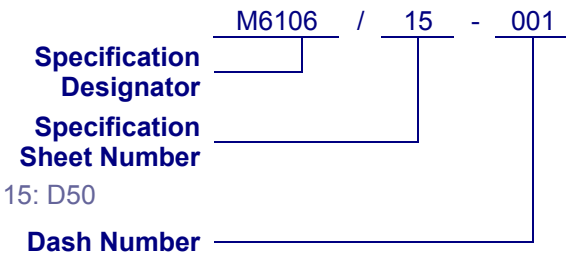
Contact Rating (Amps)

Type of Load (High Level)		
	Cycles x 10 ³	28 Vdc
Resistive	50	50
Inductive	50	50
Motor	50	20
Lamp	50	20

Circuit Diagram

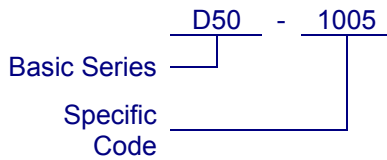


Military Part Numbering



See Charts

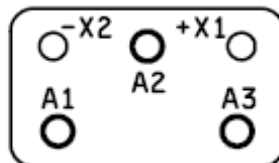
QPL Part Numbering



Dash Numbers – Specification Sheet Number 15

Dash Number	Basic Series	Specific Code	Coil Voltage	Max Pickup Voltage at 25°C	Max Pickup Voltage at 125°C	Max Hold Voltage at 125°C	Min Dropout Voltage at -70°C	Coil Resistance (Ω, +/- 10% at 25°C)
001	D50	1005	28	13.5	18	4.5	1.5	290
002	DS50	1006	28	13.5	18	4.5	1.5	290

Terminal Layout



Mounting and Termination

