

General characteristics

	E205 TRACK A 2 Form C (2PDT)	E205 TRACK B 2 Form C (2PDT)
No. of poles		
Volume	3.3 cm ³ [2 in ³]	3.3 cm ³ [2 in ³]
Mass	15.4 grams [0.34 lb. Max]	20.4 grams [0.45 lb. Max]

Switching characteristics

Operate time @ 25° C	5 ms max.	5 ms max.
Release time @ 25° C	5 ms max.	5 ms max.
Bounce time	1 ms max.	1 ms max.
Mechanical Life	400,000 cycles	

Contact rating

Type of load (High level)	Cycles x 10 ³	28 Vdc	115 Vac 400 Hz 1 phase	115/200 Vac 400 Hz 3 phase
Resistive	100	5 amps	5 amps	5 amps
Inductive	20	3 amps	5 amps	5 amps
Motor	100	2 amps	3 amps	3 amps
Lamp	100	1 amps	n/a	n/a
Overload current	n/a	20 amps	30 amps	30 amps
Rupture current	n/a	25 amps	40 amps	40 amps

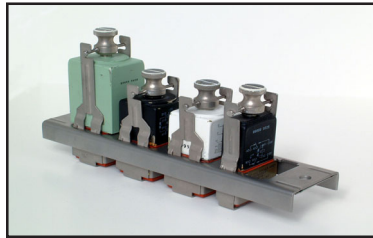
Environmental characteristics

Temperature Range	-70°C to +125°C	
Vibration (Sinusoidal)	Track Mount A Track Mount B	.06in DA 10-55 HZ, 10 g 55-500 Hz, 20 g 500-3000 Hz 30 g 70-3000 Hz
Shock, any axis	200 g 6 ms	
Seal	Hermetic (1 x 10 ⁻⁸ atm cm ³ /s)	

Electrical characteristics

Contact voltage drop (@ Rated resistive load)		150 mV Max. 175 mV Max.
- Initial		
- After guaranteed life		
-Max. leakage current:		100 microamperes rms. (Track Mount B)
Dielectric strength @ sea level		Coil to Case All other points
- Initial @ 60 Hz	Track Mount A	1000 Vrms 1000 Vrms
	Track Mount B	1050 Vrms 1050 Vrms
Insulation Resistance		100 Megohms min. @ 500 Vdc 50 Megohms min. @ 500 Vdc
- Initial		
- After life tests		
Reference Military Specifications		MIL-PRF-83536

Track Mount Characteristics



General characteristics

	E405 TRACK A 4 Form C (4PDT)	E405 TRACK B 4 Form C (4PDT)
No. of poles		
Volume	6.9 cm ³ [.42 in ³]	6.9 cm ³ [.42 in ³]
Mass	26.4 grams [.058 lb. Max]	32.6 grams [.072 lb. Max]

Switching characteristics

Operate time @ 25° C	6 ms max.	6 ms max.
Release time @ 25° C	6 ms max.	6 ms max.
Bounce time	1 ms max.	1 ms max.
Mechanical life	400,000 cycles	

Contact rating	Type of load (High level)	Cycles x 10 ³	400 Hz		
			28 Vdc	115 Vac 1 phase	115/200 Vac 3 phase
Resistive	100	5 amps	5 amps	5 amps	
Inductive	20	3 amps	5 amps	5 amps	
Motor	100	2 amps	3 amps	3 amps	
Lamp	100	1 amps	n/a	n/a	
Overload current	n/a	20 amps	30 amps	30 amps	
Rupture current	n/a	25 amps	40 amps	40 amps	

Environmental characteristics

Temperature Range	-70°C to +125°C	
Vibration (Sinusoidal)	Track Mount A Track Mount B	.06in DA 10-55 Hz, 10 g 55-500 Hz, 20 g 500-3000Hz 30 g 70-3000 Hz
Shock, any axis	200 g 6 ms	
Seal	Hermetic (1 x 10 ⁻⁸ atm cm ³ /s)	

Electrical characteristics

Contact voltage drop (@ Rated resistive load)		
- Initial		150 mV Max.
- After guaranteed life		175 mV Max.
- Max. leakage current:		100 microamperes (Track Mount B)
Dielectric strength @ sea level		Coil to Case All other points
- Initial @ 60 Hz	Track Mount A Track Mount B	1000 Vrms 1000 Vrms 1050 Vrms 1050 Vrms
Insulation Resistance		
- Initial		100 Megohms min. @ 500 Vdc
- After life tests		50 Megohms min. @ 500 Vdc
Reference Military Specifications		MIL-PRF-83536

E S 205 E 4 M D

RELAY TYPE

'E' Series

OPTION

'S' = Internal Voltage Suppressor

MODEL

205: page 16 & 17

405: page 18 & 19

COIL CODE

205: page 16

405: page 18

MOUNTING STYLES

205: page 17

405: page 19

TERMINATION STYLES

205: page 17

405: page 19

Special instructions or specifications

'D' FOR CATALOG STANDARD OR

'A' FOR CATALOG STANDARD WITHOUT ARC BARRIERS

'XXXX' FOR SPECIAL INSTRUCTIONS OR SPECIFICATIONS

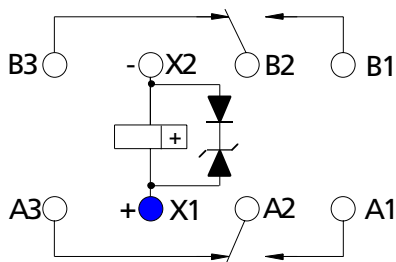
(ASSIGNED BY DRI)

Coil characteristics

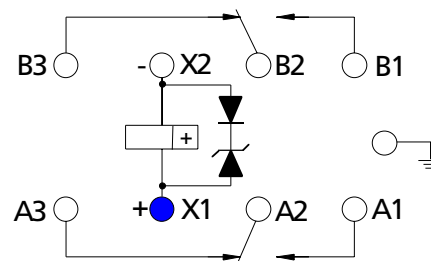
COIL CODE	DC							
	A	B	D	E	F	G	H	J
Nominal coil voltage	6	12	26,5	28	36	48	74	110
Maximum pick-up voltage at 25°C	3,3	6,5	13,5	13,5	16,7	24	34,7	50
Maximum pick-up voltage at 125°C	4,5	9	18	18	23	36	48	70
Maximum hold voltage at 125°C	2,3	4.5	7	7	10	12	21	30
Minimum drop-out voltage at -70°C	0,25	0,5	1,2	1,5	2	2,4	4	5,5
Coil resistance (ohms ± 10% at 25° C)	23	90	440	500	825	1400	3500	5000
Max coil transient suppression	42	42	42	42	100	100	100	154

OTHER VOLTAGES AVAILABLE FROM FACTORY ON REQUEST

Circuit diagram



TRACK MOUNT A
INTERNAL VOLTAGE SUPPRESSOR



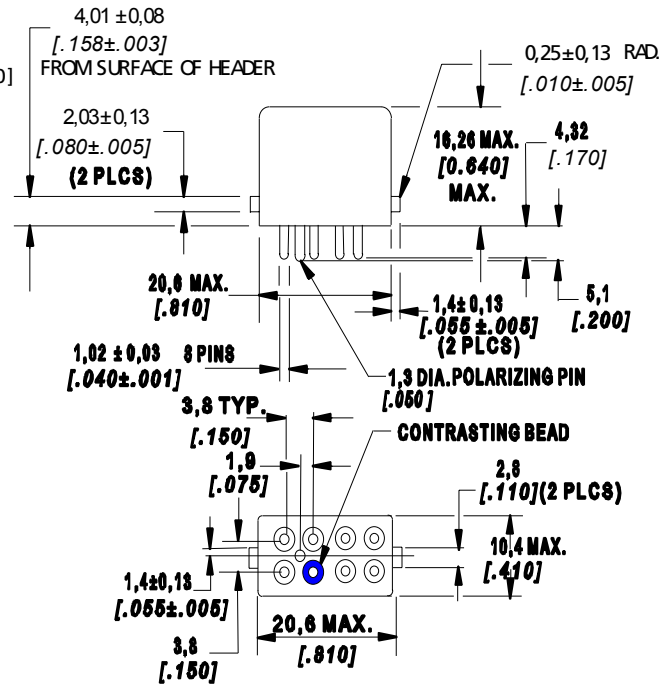
TRACK MOUNT B
INTERNAL VOLTAGE SUPPRESSOR

Mounting & Terminal Styles

DIMENSIONS ARE IN MM (IN.)
UNLESS OTHERWISE SPECIFIED, TOLERANCE IS $\pm 0,25$ [.010]

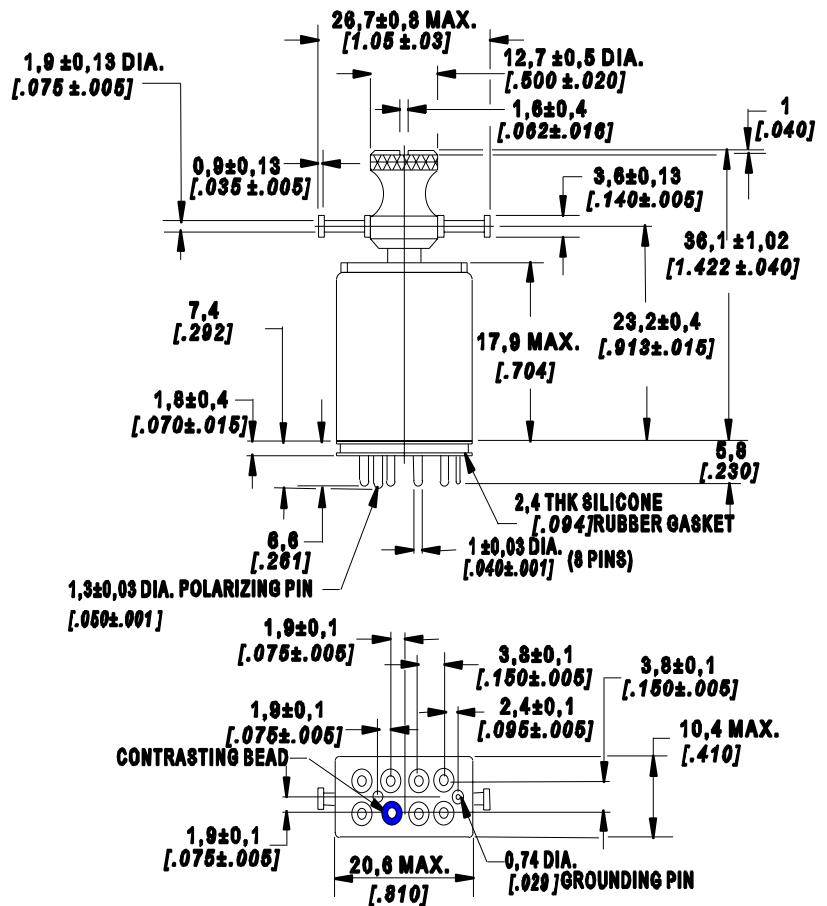
TRACK MOUNT A

TERMINAL STYLE M (GOLD PLATED)
MOUNTING STYLE 4



TRACK MOUNT B

TERMINAL STYLE M (GOLD PLATED)
MOUNTING STYLE 5

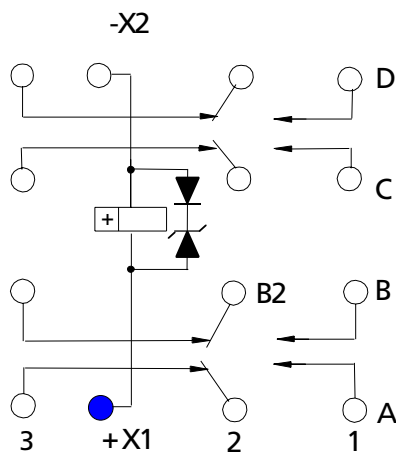


Coil characteristics

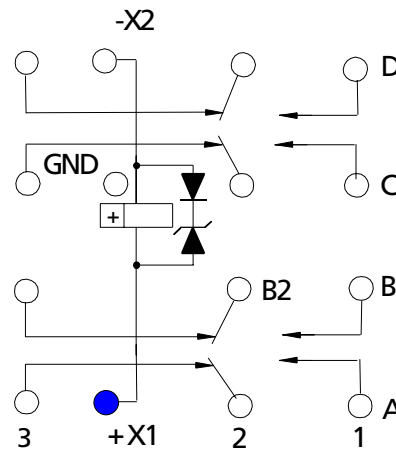
COIL CODE	DC							
	A	B	D	E	F	G	H	J
Nominal coil voltage	6	12	26,5	28	36	48	74	110
Max pick up voltage at 25° C	3,3	6,5	13,5	13,5	16,7	24	34,7	55
Max pick up voltage at 125°C	4,5	9,0	18	18	23	36	48	74
Max hold voltage at 125° C	2,3	4,5	7,0	7,0	10,0	12,0	21,0	32
Min drop out voltage at -70°C	0,25	0,5	1,2	1,5	2,0	2,4	4,0	5,5
Coil resistance (ohms ± 10% at 25° C)	18	72	350	400	650	1150	2740	6200
Max coil transient suppression	-42	-42	-42	-42	-100	-100	-100	-154

OTHER VOLTAGES AVAILABLE FROM FACTORY ON REQUEST

Circuit diagram



TRACK MOUNT A
INTERNAL VOLTAGE SUPPRESSOR



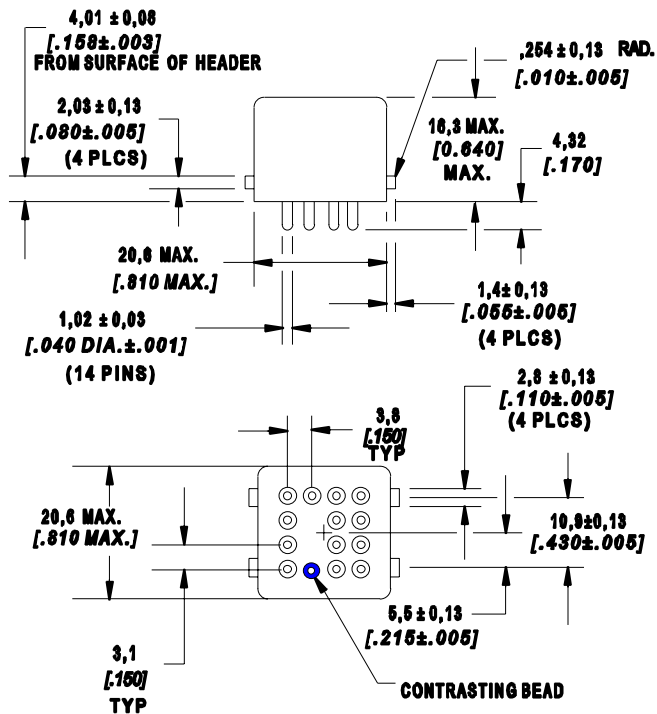
TRACK MOUNT B
INTERNAL VOLTAGE SUPPRESSOR

Mounting & Terminal Styles

DIMENSIONS ARE IN MM (IN.)
UNLESS OTHERWISE SPECIFIED,
TOLERANCE IS $\pm 0,25$ [.010]

TRACK MOUNT A

TERMINAL STYLE M (GOLD PLATED)
MOUNTING STYLE 4



TRACK MOUNT B

TERMINAL STYLE M (GOLD PLATED)
MOUNTING STYLE 5

