



A COMPANY OF STPI GROUP

EL410 & ELS410

Military Specified

Meets MIL-PRF-83536

General Characteristics

Number of Poles:

Dimensions:

Weight:

-Mounting Code 09:

4 Form C (4PDT)

1.025" x 1.025" x 1.010"

(26.0mm x 26.0mm x 25.7mm)

0.17 lb. (77 grams)

0.20 lb. (90.6 grams)

Switching Characteristics

Latch Time @ 25°C:

-Mounting Code 09:

Reset Time @ 25°C:

-Mounting Code 09:

Bounce Time:

Mechanical Life:

15 ms Max.

20 ms Max.

15 ms Max.

20 ms Max.

1 ms Max.

400,000 Cycles

Environmental Characteristics

Temperature Range:

Vibration (Sinusoidal):

Shock (any axis):

Seal:

-70°C to +125°C

30g 10-3,000 Hz

200g, 6 ms

Hermetic (1×10^{-8} atm cm³/s)

Electrical Characteristics

Contact Voltage Drop (at rated resistive load)

-Initial:

-After Guaranteed Life:

Dielectric Strength

Coil to Case @ Sea Level

-Initial @ 60 Hz:

-After Life Test @ 60 Hz:

All Other Points @ Sea Level

-Initial @ 60 Hz:

-After Life Test @ 60 Hz:

Coil to Case @ Sea Level (Mounting Code 09)

-Initial @ 60 Hz:

-After Life Test @ 60 Hz:

All Other Points @ Sea Level (Mounting Code 09)

-Initial @ 60 Hz:

-After Life Test @ 60 Hz:

Insulation Resistance

-Initial:

-After Life Tests:

-Mounting Code 09:

-Max. Leakage Current (Mounting Code 09):

Back EMF (Transient Voltage):

-Mounting Code 09:

150 mV Max.

175 mV Max.

1,000 Vrms

1,000 Vrms

1,250 Vrms

1,000 Vrms

1,050 Vrms

1,050 Vrms

1,500 Vrms

1,250 Vrms

100 MΩ Min, @ 500 Vdc

50 MΩ Min, @ 500 Vdc

100 MΩ Min, @ 500 Vdc

100 μA RMS

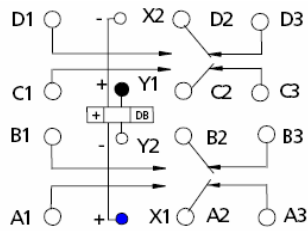
5 Vdc Max. (ELS410 Only)

42 Vdc Max. (ELS410 Only)

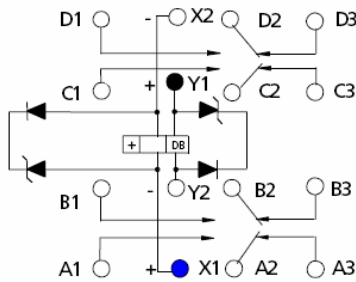
Contact Rating (Amps)

Type of Load (High Level)	Cycles x 10 ³	28 Vdc	115 Vac 400 Hz 1 Phase	115 Vac 50/60 Hz 1 Phase	115/200 Vac 400 Hz 3 Phase	115/200 Vac 50/60 Hz 3 Phase
Resistive	100	10	10	2.5	10	2.5
Inductive	20	8	8	N/A	8	N/A
Inductive	10	N/A	N/A	2.5	N/A	2.5
Motor	100	4	4	2	4	2
Lamp	100	2	2	1	N/A	N/A

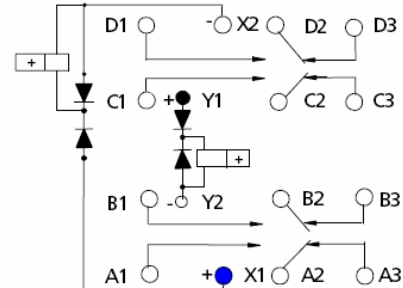
Circuit Diagram



EL410
OBSERVE COIL POLARITY
Y1 COIL LAST ENERGIZED

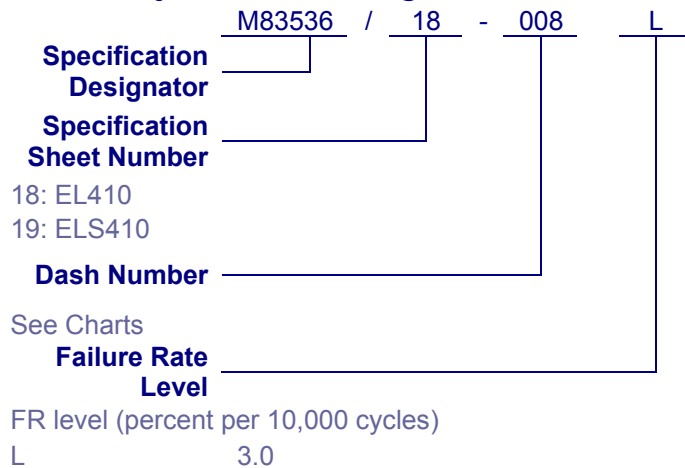


ELS410 Track Mount
OPTIONAL INTERNAL
VOLTAGE SUPPRESSOR
Y1 COIL LAST ENERGIZED
(-42 Vdc MAX.)

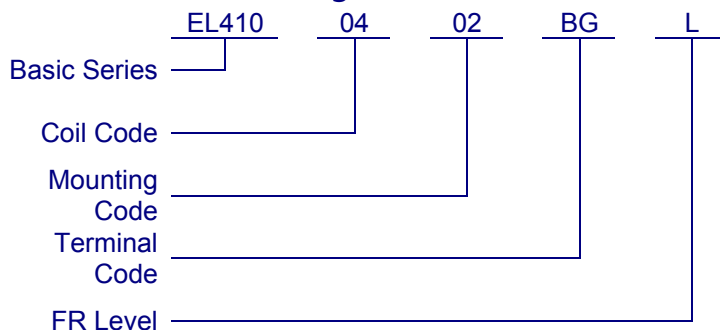


ELS410
OPTIONAL INTERNAL
VOLTAGE SUPPRESSOR
Y1 COIL LAST ENERGIZED
(-5 Vdc MAX.)

Military Part Numbering



QPL Part Numbering



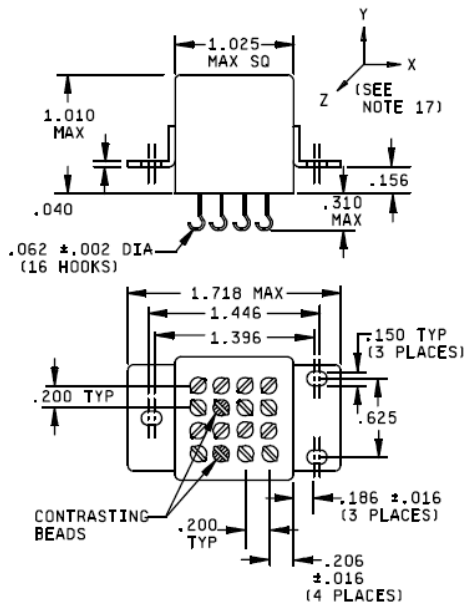
Dash Numbers – Specification Sheet Number 18: EL410

Dash Number	Coil Code	Mount	Terminals	Coil Voltage	Max Latch Voltage at 25°C	Max Reset Voltage at 25°C	Max Latch Voltage at 125°C	Max Reset Voltage at 125°C	Coil Resistance (Ω, +/- 10% at 25°C)
004	02	02	AT	12	6.5	6.5	9	9	60
005	02	02	ET	12	6.5	6.5	9	9	60
006	02	03	AT	12	6.5	6.5	9	9	60
007	04	02	AT	28	14.5	14.5	18	18	450
008	04	02	BG	28	14.5	14.5	18	18	450
009	04	03	AT	28	14.5	14.5	18	18	450

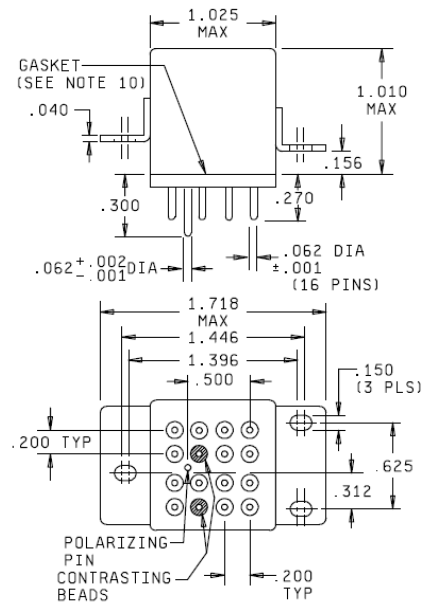
Dash Numbers – Specification Sheet Number 19: ELS410

Dash Number	Coil Code	Mount	Terminals	Coil Voltage	Max Pickup Voltage at 25°C	Max Pickup Voltage at 125°C	Max Hold Voltage at 125°C	Min Dropout Voltage at -70°C	Coil Resistance (Ω, +/- 10% at 25°C)
004	02	02	AT	12	6.5	6.5	9	9	60
005	02	02	ET	12	6.5	6.5	9	9	60
006	02	03	AT	12	6.5	6.5	9	9	60
007	04	02	AT	28	14.5	14.5	18	18	450
008	04	02	BG	28	14.5	14.5	18	18	450
009	04	03	AT	28	14.5	14.5	18	18	450
010	04	09	GG	28	14.5	14.5	18	18	450

Mounting & Termination Styles

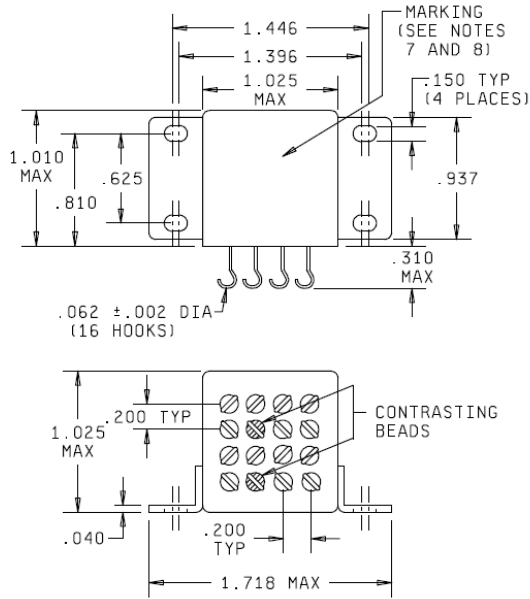


Mount 02, Terminals AT:
Raised Vertical Flange Mount,
Tin Plated Solder Hooks

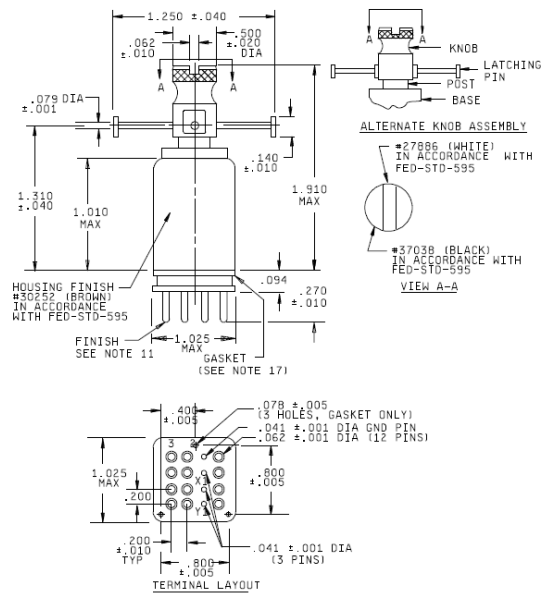


Mount 02, Terminals BG & ET:
Raised Vertical Flange Mount,
Gold Plated Plug In

Mounting & Termination Styles (continued)



Mount 03 & Terminals AT:
Horizontal Flange Mount,
Tin Plated Solder Hooks



Mount 09 & Terminals GG:
Track Mount,
Gold Plated Plug In