

Optolite Indicators General Purpose

INDICATOR LIGHTS



Sub-Miniature

99-33180 Series



Material and Finishes

Mounting tube, black glass filled nylon per MIL-M-19887.
Mounting nut aluminum, black anodized per MIL-A-8625A.
Lockwasher, stainless steel or steel, nickel plate. Brass terminals, tin plated per MIL-T-10727A.

Cap Assembly

Lens, high impact-resistant plastic per L-P-349.

Lamp

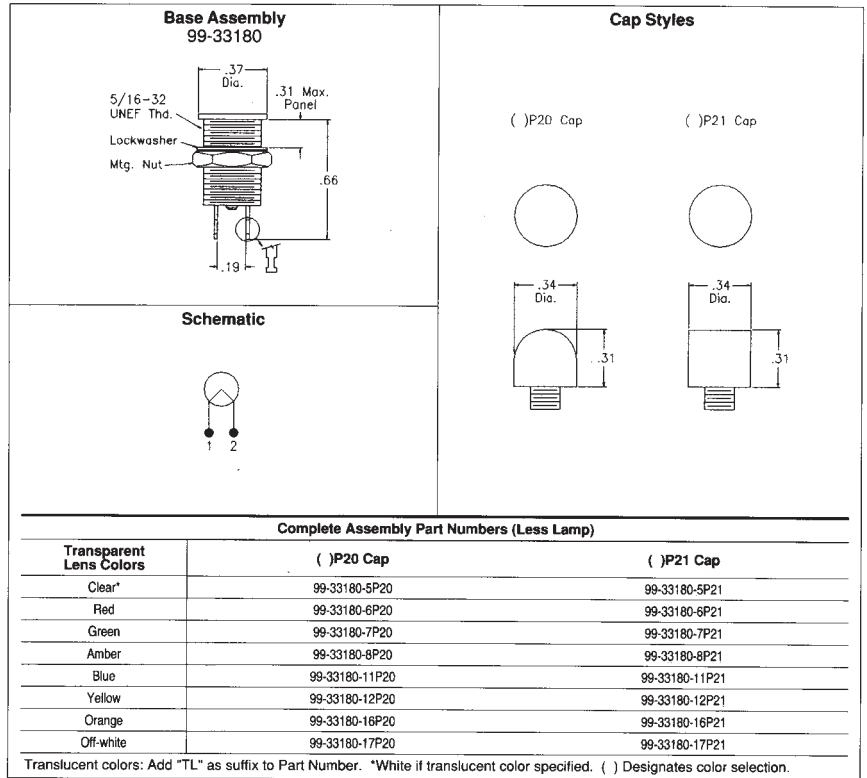
T-1 sub-midget flange base. See Lamp Selection Guide.
Choose from Group M.

Mounting

Assembly mounts from front of panel. All mounting hardware supplied.

Weight

Approximately .12 oz. less lamp.



Miniature, Neon

31-36180 Series 31-36280 Series (MS25257)



Material and Finishes

Mounting tube and nut, aluminum, black anodized per MIL-A-8625A. Lockwasher, stainless steel or steel, nickel plate. Brass terminals, tin plated per MIL-T-10727A.

Cap Assembly

Lens, high impact-resistant plastic per L-P-349. Standard colors are transparent.

Lamp

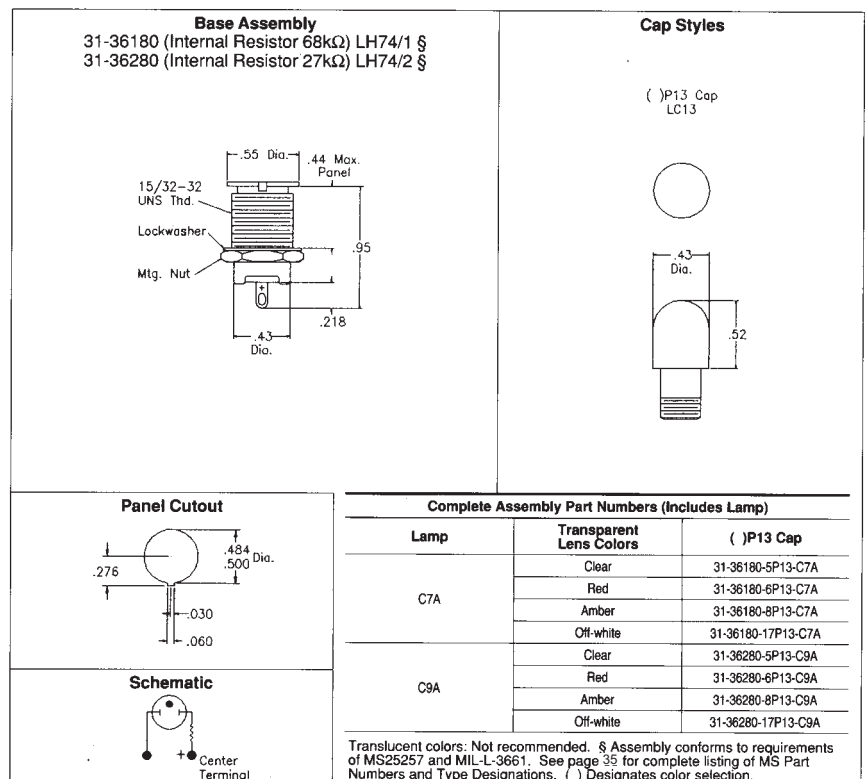
C7A (standard) or C9A (high brightness) T2 neon lamp furnished with each assembly. See Lamp Selection Guide for electrical characteristics.

Mounting

Assembly mounts from rear of panel. All mounting hardware supplied.

Weight

Approximately .3 oz. less lamp



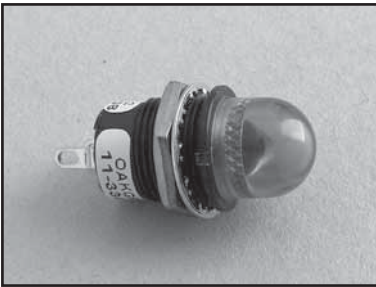
Optolite Indicators General Purpose

INDICATOR LIGHTS



Miniature

11-33480 Type



Material and Finishes

Mounting tube and nuts, aluminum, black anodized per MIL-A-8625A. Lockwasher, stainless steel or steel, nickel plate. Brass terminals, tin plated per MIL-T-10727A.

Cap Assembly

Lens, high impact-resistant plastic per L-P-349.

Lamp

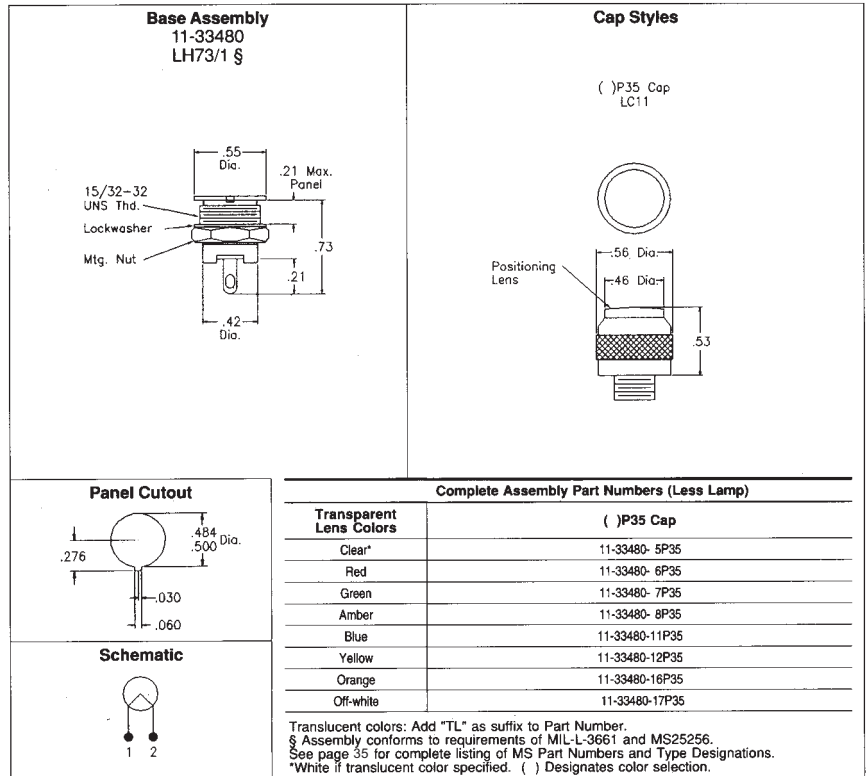
T-1 3/4 midget flange base.

Mounting

Assembly mounts from front of panel. All mounting hardware supplied.

Weight

Approximately .2 oz. less lamp.



Miniature

59-52480 Type



Material and Finishes

Mounting tube and nuts, aluminum, black anodized per MIL-A-8625A. Lockwasher, stainless steel or steel, nickel plate. Brass terminals, tin plated per MIL-T-10727A.

Cap Assembly

Lens, high impact-resistant plastic per L-P-349.

Lamp

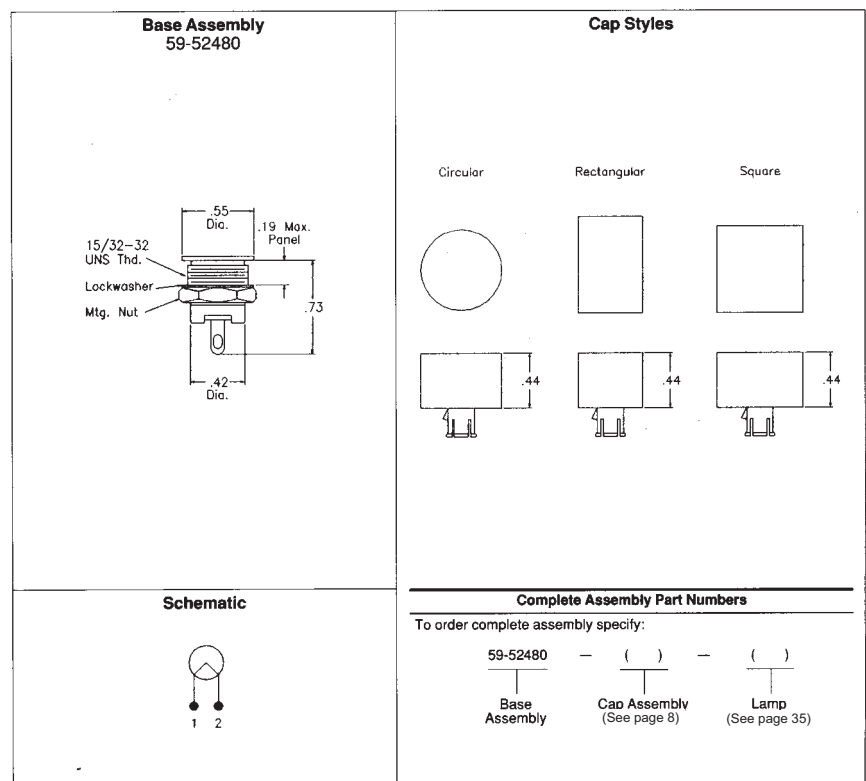
T-1 3/4 midget flange base.

Mounting

Assembly mounts from rear of panel. All mounting hardware supplied.

Weight

Approx. .2 oz. less lamp.



Optolite Indicators General Purpose

INDICATOR LIGHTS



Miniature

14-30080 Type



Material and Finishes

Mounting tube and nuts, aluminum, black anodized per MIL-A-8625A. Lockwasher, stainless steel or steel, nickel plate. Brass terminals, tin plated per MIL-T-10727A.

Cap Assembly

Lens, high impact-resistant plastic per L-P-349. Lens holders, aluminum, black anodized.

Lamp

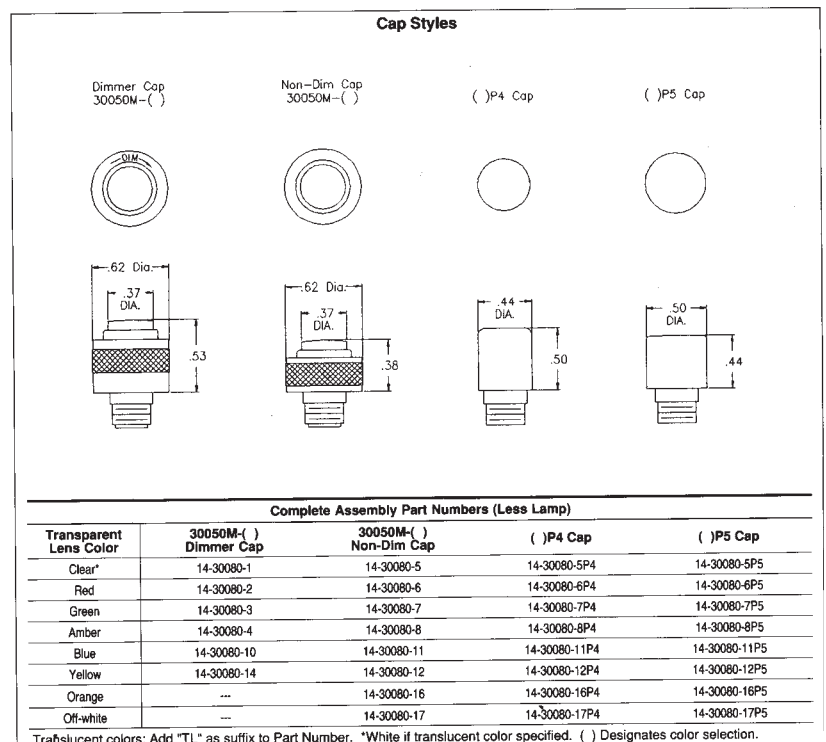
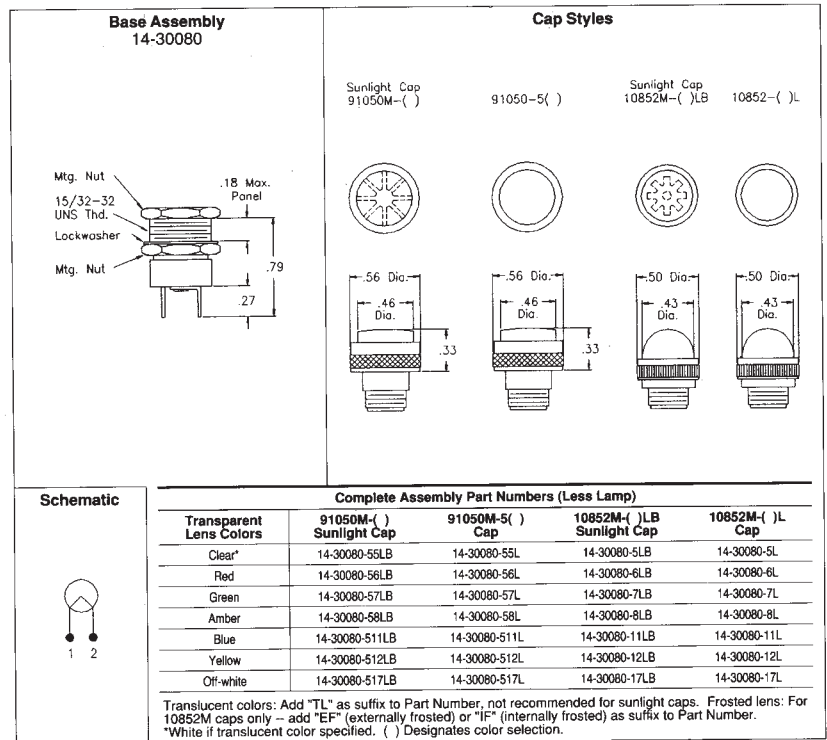
T-1 3/4 midget flange base.

Mounting

Assembly mounts from rear of panel. All mounting hardware supplied. Recommended mounting hole .500 in. +/- .015 in. dia.

Weight

Approx. .27 oz. less lamp.



Optolite Indicators General Purpose

INDICATOR LIGHTS



General Purpose



Material and Finishes

Mounting tube and nuts, aluminum, black anodized per MIL-A-8625A. Lockwasher, stainless steel or steel, nickel plate. Brass terminals, tin plated per MIL-T-10727A.

Cap Assembly

Lens, high impact-resistant plastic (nylon). Standard colors are semi-diffusing.

Lamp

T-3 3/4 miniature bayonet base.

Mounting

Assembly mounts from rear of panel. All mounting hardware supplied. Recommended mounting hole .640 in. +/- .015 in. dia.

BASE ASSEMBLY 13-30080S

CAP STYLES

**SUNLIGHT CAP
EXTERNALLY FROSTED**

90550- ()

**SUNLIGHT CAP
INTERNALLY FROSTED**

90550-5()

**SUNLIGHT CAP
UNFROSTED**

90650- () CAP

90850-5()

Dimensions: .75 Dia., .65 Dia., .66 Dia., .67

Complete Assembly Part Number (Less Lamp)				
Semi-Diffusing Lens Colors	90550 - () Sunlight Cap	90550 - 5() Sunlight Cap	90650 - () Cap	90650 - 5() Sunlight Cap
Lunar	13-VM309- 5	13-VM309- 55	13-VM305- 5	13-VM305- 55
Red	13-VM309- 6	13-VM309- 56	13-VM305- 6	13-VM305- 56
Green	13-VM309- 7	13-VM309- 57	13-VM305- 7	13-VM305- 57
Amber	13-VM309- 8	13-VM309- 58	13-VM305- 8	13-VM305- 58
Blue	13-VM309-11	13-VM309-511	13-VM305-11	13-VM305-511

SCHEMATIC

() Designates color selection.

Miniature, Neon



Material and Finishes

Mounting tube gold anodized, rear mtg. nut aluminum, black anodized per MIL-A-8625A. Lockwasher, stainless steel or steel, nickel plate. Terminals, brass, tin plated per MIL-T-10727A. Round front mtg. nut, bright nickel plate.

Cap Assembly

Lens, high impact-resistant plastic per L-P-349. Standard colors are transparent.

Lamp

A1G (std.) or A1H (high brightness) T-2 neon is furnished with each assembly.

Mounting

Assembly mounts from rear of panel. All mounting hardware supplied. Recommended mounting hole .500 in. +/- .015 in. dia.

Weight

Approx. .35 oz. less lamp.

BASE ASSEMBLY 33-30880 (27KΩ Internal Resistor) 33-30881 (68KΩ Internal Resistor)

CAP STYLES

() P4 CAP

() P8 CAP

Dimensions: .50, .39, .50

Complete Assembly Part Numbers (Includes Lamp)			
Lamp	Transparent Lens Color	() P4 Cap	() P8 Cap
A1H	Clear	33-30880-5P4-A1H	33-30880-5P8-A1H
	Red	33-30880-6P4-A1H	33-30880-6P8-A1H
	Amber	33-30880-8P4-A1H	33-30880-8P8-A1H
	Lunar	33-30880-17P4-A1H	33-30880-17P8-A1H
A1G	Clear	33-30881-5P4-A1G	33-30881-5P8-A1G
	Red	33-30881-6P4-A1G	33-30881-6P8-A1G
	Amber	33-30881-8P4-A1G	33-30881-8P8-A1G
	Lunar	33-30881-17P4-A1G	33-30881-17P8-A1G

SCHEMATIC

Center Terminal

Translucent colors: Not recommended.
() Designates color selection.

Optolite Indicators General Purpose

INDICATOR LIGHTS



Miniature



Material and Finishes

Mounting tube and nuts, aluminum, black anodized per MIL-A-8625A. Lockwasher, stainless steel or steel, nickel plate. Terminals 6-32 screws, nickel plate. Round front mounting nut, bright nickel plate.

Lamp

T-1 3/4 midget flange base.

Mounting

Assembly mounts from rear of panel. All mounting hardware supplied. Recommended mounting hole .500 in. +/- .015 in. dia.

BASE ASSEMBLY

14-32280

Round Mtg. Nut 30313M
1/8-32 UNS Thds.
Lockwasher 10814M
Mtg. Nut 10813M
Identification
Base Assem. 14-32280

CAP STYLES

Complete Assembly Part Numbers (Less Lamp)			
Transparent Lens Colors	() P10 Cap	() P6 Cap	30350M - () Cap
Clear*	14-32280-5P10	14-32280-5P6	14-32280-5
Red	14-32280-6P10	14-32280-6P6	14-32280-6
Green	14-32280-7P10	14-32280-7P6	14-32280-7
Amber	14-32280-8P10	14-32280-8P6	14-32280-8
Blue	14-32280-11P10	14-32280-11P6	14-32280-11
Yellow	14-32280-12P10	14-32280-12P6	14-32280-12
Lunar	14-32280-17P10	14-32280-17P6	14-32280-17

*Translucent colors: add "TL" as suffix to Part No.
*White if translucent color specified.
() Designates color selection.

SCHEMATIC

Miniature



Material and Finishes

Mounting tube and nuts, aluminum, black anodized per MIL-A-8625A. Lockwasher, stainless steel or steel, nickel plate. Brass terminals, tin plated per MIL-T-10727A.

Cap Assembly

Lens, high impact-resistant plastic per L-P-349.

Lamp

T-1 3/4 midget flange base.

Mounting

Assembly mounts from rear of panel. All mounting hardware supplied. Recommended mounting hole .500 in. +/- .015 in. dia.

Weight

Approx. .2 oz. less lamp.

BASE ASSEMBLY

14-35180

CAP STYLES

Complete Assembly Part Numbers (Less Lamp)				
Transparent Lens Colors	() P3 Cap	() P4 Cap	() P5 Cap	() P6 Cap
Clear*	14-35180-5P3	14-35180-5P4	14-35180-5P5	14-35180-5P6
Red	14-35180-6P3	14-35180-6P4	14-35180-6P5	14-35180-6P6
Green	14-35180-7P3	14-35180-7P4	14-35180-7P5	14-35180-7P6
Amber	14-35180-8P3	14-35180-8P4	14-35180-8P5	14-35180-8P6
Blue	14-35180-11P3	14-35180-11P4	14-35180-11P5	14-35180-11P6
Yellow	14-35180-12P3	14-35180-12P4	14-35180-12P5	14-35180-12P6
Orange	14-35180-16P3	14-35180-16P4	14-35180-16P5	14-35180-16P6
Lunar	14-35180-17P3	14-35180-17P4	14-35180-17P5	14-35180-17P6

*Translucent colors: Add "TL" as suffix to Part No.
*White if translucent color specified.
() Designates color selection.

SCHEMATIC