

Ordering Table — Washable Toggle Switches

Designed to be wave soldered along with other Printed Circuit Board Components and withstand associated cleaning processes.

HOW TO ORDER YOUR DESIGN (Bold Face Type indicates items normally in Distributor Stock)

Following the table from left to right, the designer is able to specify the options wanted. The options are described and illustrated on the following pages.

To determine a part number select the options desired and fill in the boxes in the selection guides illustrated below.

WashableToggle Switch Selection Guide

Toggle Series		Poles and Throw		Circuit			Lever Options		Lever Finish	Bushing Options		Terminal Type		Contact Material			
Series	Type	Code	No.	Code	Circuits 6			Lever Options and Finishes			Bushing Options		Terminal Options		Contact Material		
					Keyway			Type	Code	Finish	Code	Type	Code	Type	Code	Type	Code
Toggle	WT		SPDT	1				.940 BAT.	L0	Bright Chrome	1	.250 Smooth	D1	Right Angle PC	A	Gold/Brass	B
			DPDT	2	ON	OFF	ON	.740 BAT.	L1	Black 3	3	.280 Smooth	D9 2	Vertical PC .150 Spacing	AV2	Gold/Silver	G
					ON	NONE	ON	.650 BAT.	L2	Black Nylon 4	4	.350 5	Y 7	PC Terminals	C	Coin/Silver	Q
					ON	NONE	ON*	Long Mod Cap	L3	Red Nylon 4	5	Threaded	Y9	PC & Support	V30	8	K
					ON*	OFF	ON*	Short Mod Cap	L4	White Nylon 4	6	.350 5		.750 Wire Wrap	W	8	L
					ON	OFF	ON*	.510 BAT.	S					.964 Wire Wrap	W1	8	M
					ON	ON	ON	.300 BAT.	M					.425 Wire Wrap	W3		
					ON	ON	ON*							1.062 Wire Wrap	W4		
					ON*	ON	ON*							Solder Lug	Z		
														Quick Connect	Z3		

*Momentary Contact

- 1** 2 Pole Only.
- 2** Subtract .030 from lever length when using this bushing.
- 3** Available on S and M lever options only.
- 4** Available only with L3 and L4 lever options only.

- 5** Subtract .100 from lever length when using these bushings.
- 6** Refer to page 59 for construction detail, wiring and electrical diagrams.
- 7** Not available on A, AV2, V30 terminal options.
- 8** Same as B, G and Q respectively except terminals brass with tin nickel alloy over nickel plate. Consult plant for availability.

EXAMPLES:

WT123M1D9AB = SPDT toggle switch with an ON-NONE-ON circuit, .270" long lever (see note 2 above) with a bright chrome finish, .280" smooth bushing right angle P.C. terminals with gold/brass contacts.

WT232S1D1V30G = DPDT toggle switch with an ON-ON-ON circuit, .510" long lever with a bright chrome finish, .250" smooth bushing, P.C. terminals with support bracket and gold/silver contacts.

SPECIFICATIONS:

Contact Ratings —

Letter codes G and Q — 6 amp at 125 VAC, 3 amp @ 250 VAC (U.L. recognized, CSA certified) or 6 amp at 28 VDC resistive.

Letter codes B and G — 0.5 volt amp (VA) maximum @ 28 V maximum (AC or DC).

Life Under Load — 60,000 make-and-break cycles — resistive load only.

Initial Contact Resistance — 10 milliohms maximum 3 VDC, 100 ma for both silver and gold plated contacts.

Insulation Resistance — 1,000 megohms, min.

Dielectric Strength — 1,000 volts rms at sea level.

Operating Temperature — -30 degrees C to 85 degrees C.

MATERIALS:

Base & Bushing — Thermoplastic high temperature (UL 94V-O).

Lever (toggle) — Brass, chrome plated.

Support brackets — Brass or steel tin plated.

Switching Contacts and Rockers —

Letter Code B — gold/nickel/brass

Letter Code G — gold/nickel/silver

Letter Code Q — Coin silver

Center Terminal

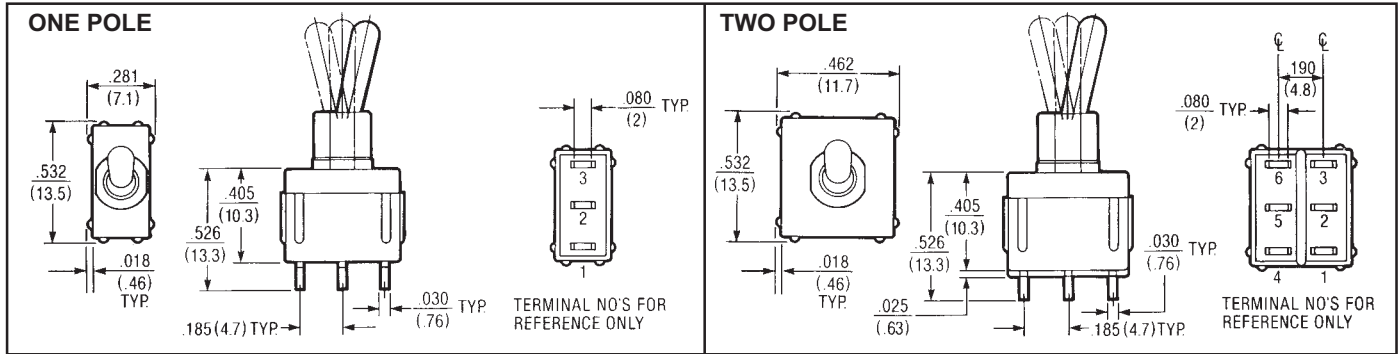
Letter Codes B and G — Gold flash/nickel/brass

Letter Code Q — Silver plated brass.

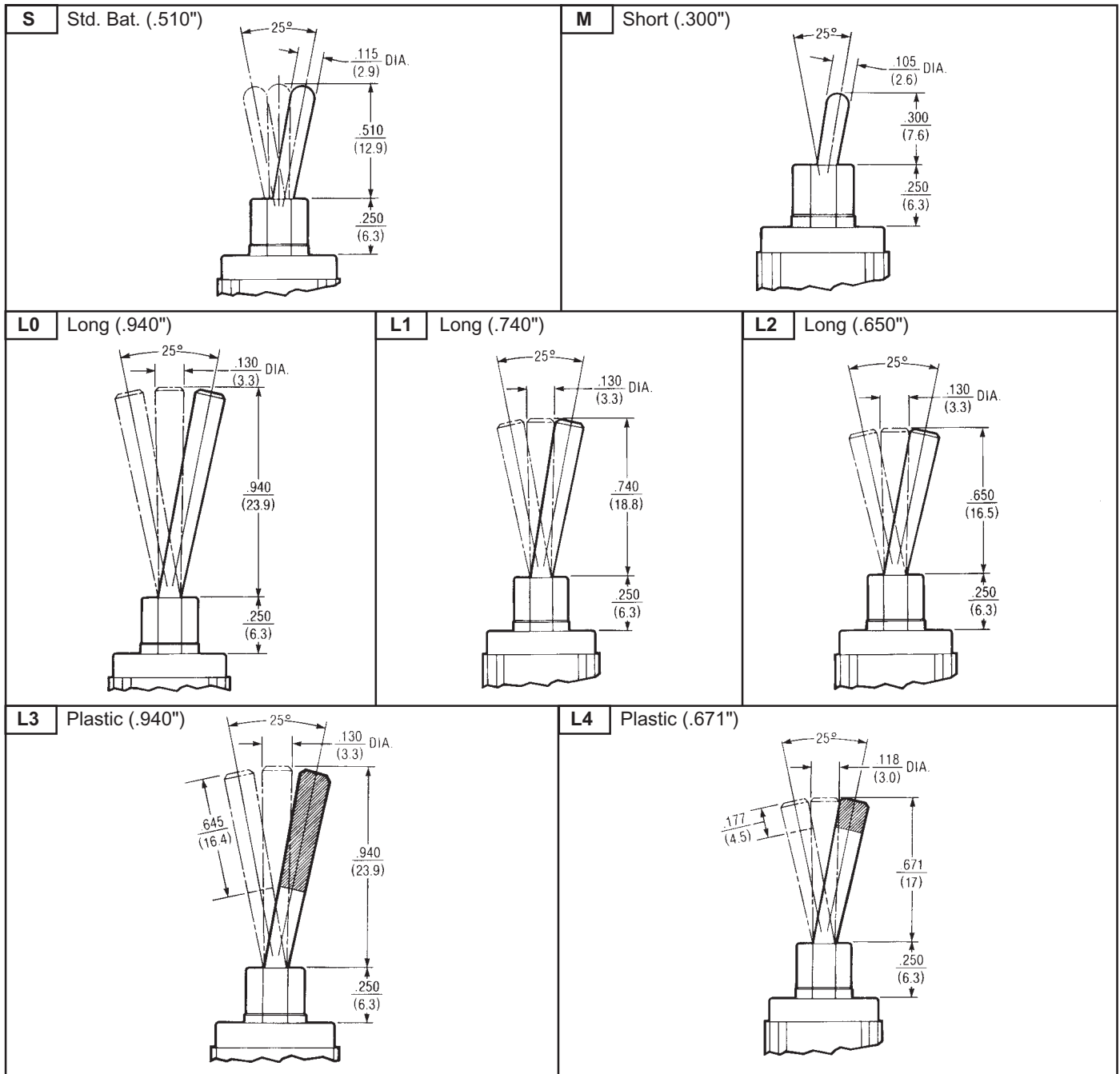
Hardware — See pages 55-57.

Washable Toggle Switches — Base Dimensions and Lever Options

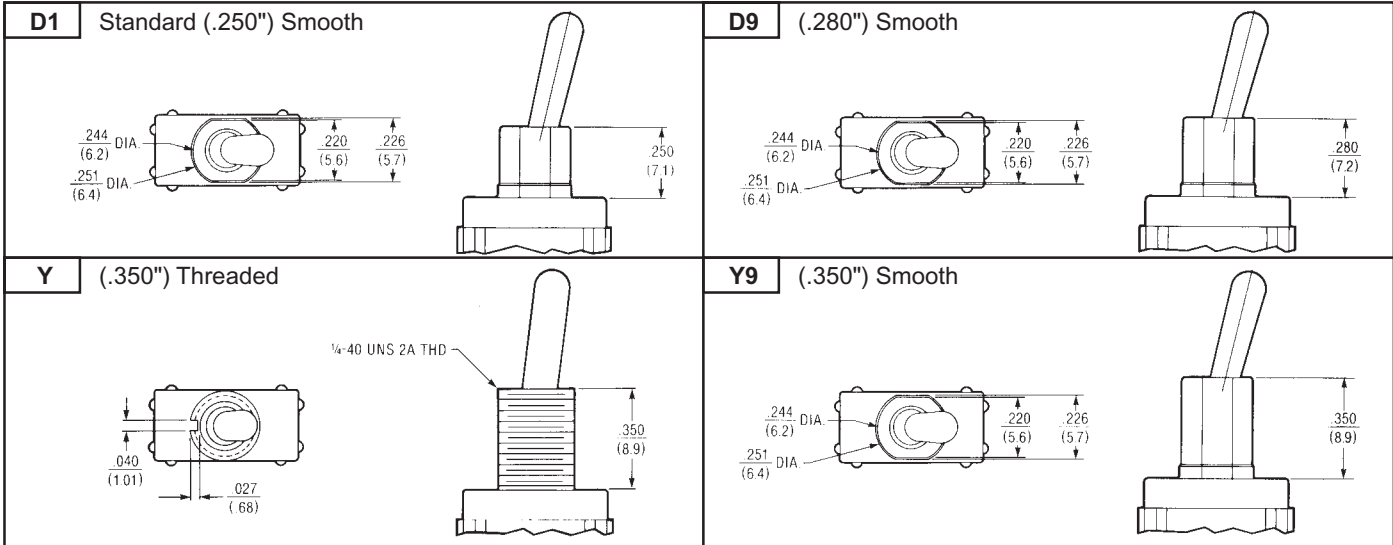
APPROXIMATE BASE DIMENSIONS



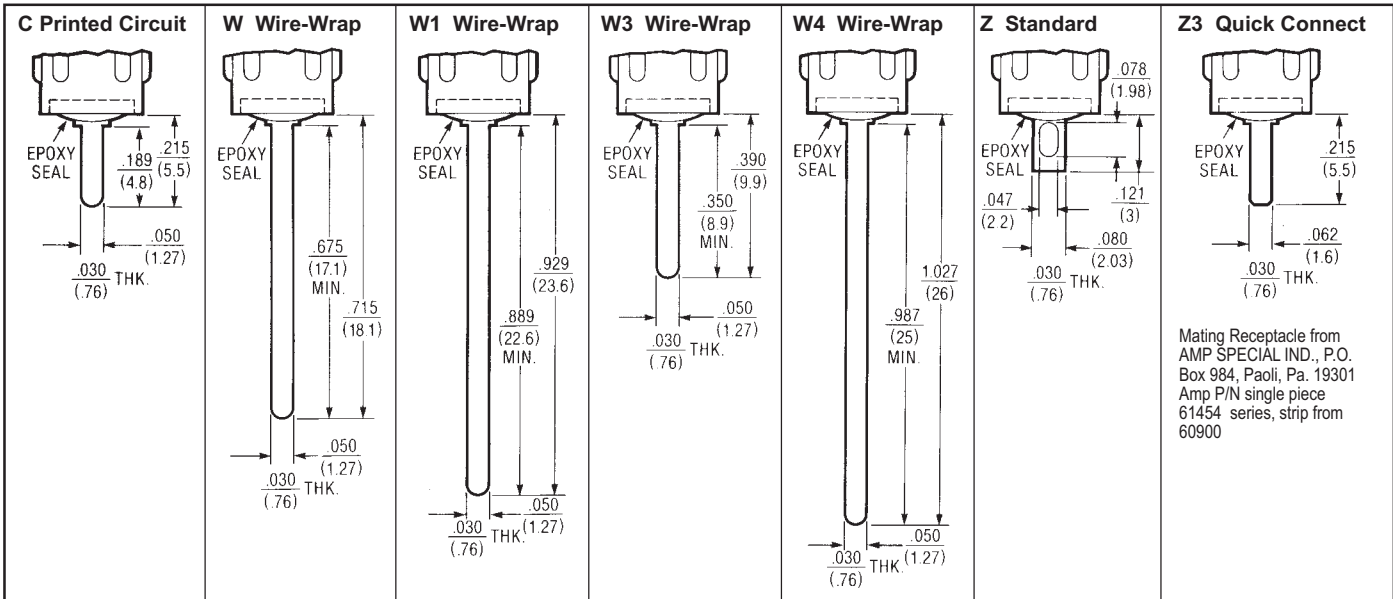
TOGGLE LEVER OPTIONS



BUSHING OPTIONS

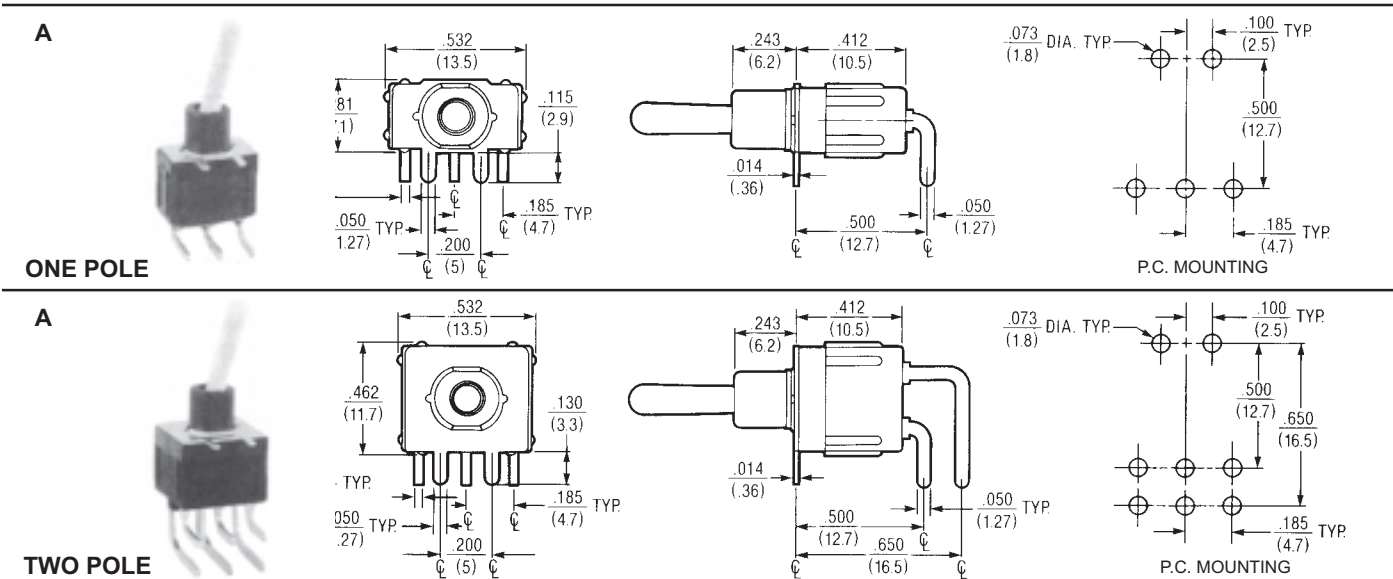


TERMINATION OPTIONS



NOTE: Wire-Wrap is a registered trademark of the Gardner-Denver Company.

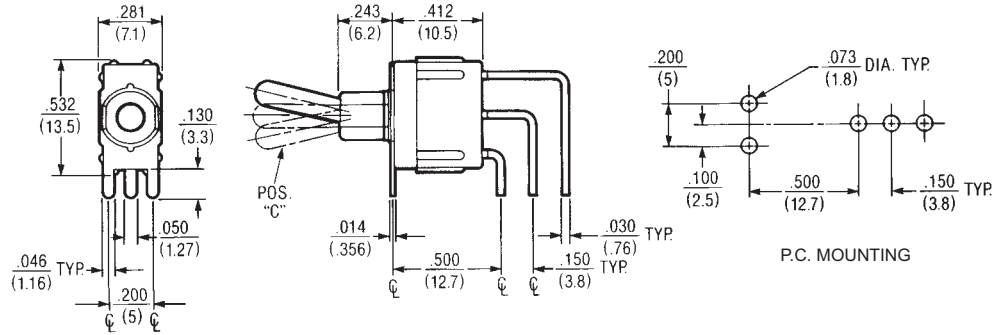
TERMINATION & MOUNTING OPTIONS



TERMINATION & MOUNTING OPTIONS — Contd.

AV2

ONE POLE



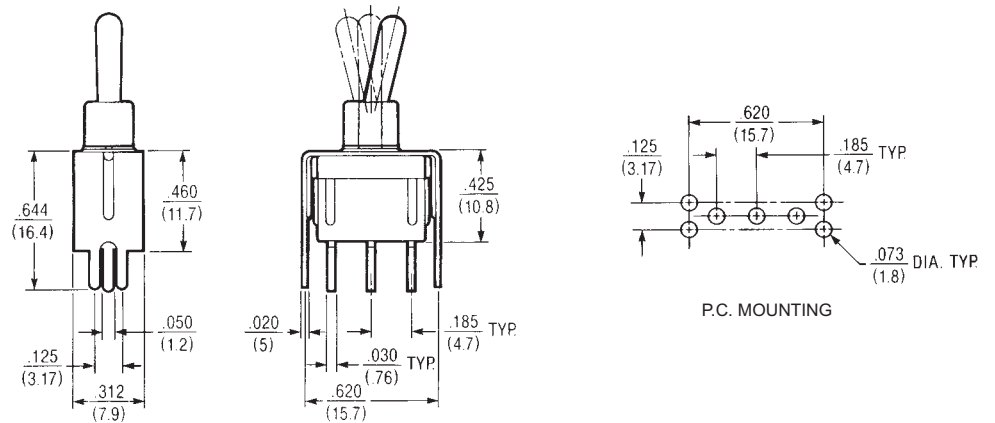
AV2

TWO POLE



V30

ONE POLE



V30

TWO POLE

