

LED INDICATOR VARIABLE VOLTAGE



Model ML4036

The ML4036 operates across a wide voltage range without the need for any external resistors. Nearly constant light intensity is maintained across the operating voltage range. The LED package is environmentally sealed and it comes complete with a fluorosilicone O-ring and mounting hardware.

FEATURES

- Ideal for rugged environments
- Environmentally sealed
- Panel mount seal
- Colors: yellow, green & red
- Decorative bezel
- Wide operating voltage

MECHANICAL SPECIFICATIONS

Case: Aluminum, black anodized, standard.

Mounting: Rear-mount by 5/16"-32 nut and lockwasher

O-ring: Fluorosilicone rubber

ML4036



ENVIRONMENTAL SPECIFICATIONS

Vibration: .06" D.A. or 20 Gs Peak, whichever is less, 10Hz to 2kHz, MIL STD 202, Method 204, Test Condition D

Shock: 100 Gs MIL STD 202, Method 213, Test Condition I

Moisture Resistance (Humidity): MIL STD 202, Method 106

Dielectric Withstanding Voltage: MIL-STD-202, Method 301, 1000VAC

Barometric Pressure (Reduced): 100,000 ft., MIL STD 202, Method 105, Test Condition D

Reliability: 3 x 10⁶ hours min. MTBF @ 25°C

Salt Atmosphere (Corrosion): MIL STD 202, Method 101, Test Condition B

ELECTRO-OPTICAL CHARACTERISTIC SPECIFICATIONS

Absolute Maximum Ratings @Temp = 25°C			
Color	Red	Yellow	Green
Operating Voltage (VDC) min.		5.0	
Operating Voltage (VDC) max.		28	
DC Forward Current (mA)		12	
Reverse Voltage (VDC) @ I _R = 100 µA		5	
Power Dissipation (mW)		300	
Luminous Intensity (mcd) typical @ V _F = 10 VDC	Non-diffused	500	100
	Diffused	125	20
Dominant Wave Length (nm) typical	640	588	558
Viewing Angle	Non-diffused	30°	
	Diffused	60°	
Operating Temperature (°C)		-40 to +85	
Storage Temperature (°C)		-40 to +85	
Lead Soldering Temperature		260°C for 3 seconds	

This page consists of basic marketing information that is not defined as technical data under EAR Part 772.

LED INDICATOR VARIABLE VOLTAGE



ORDERING INFORMATION

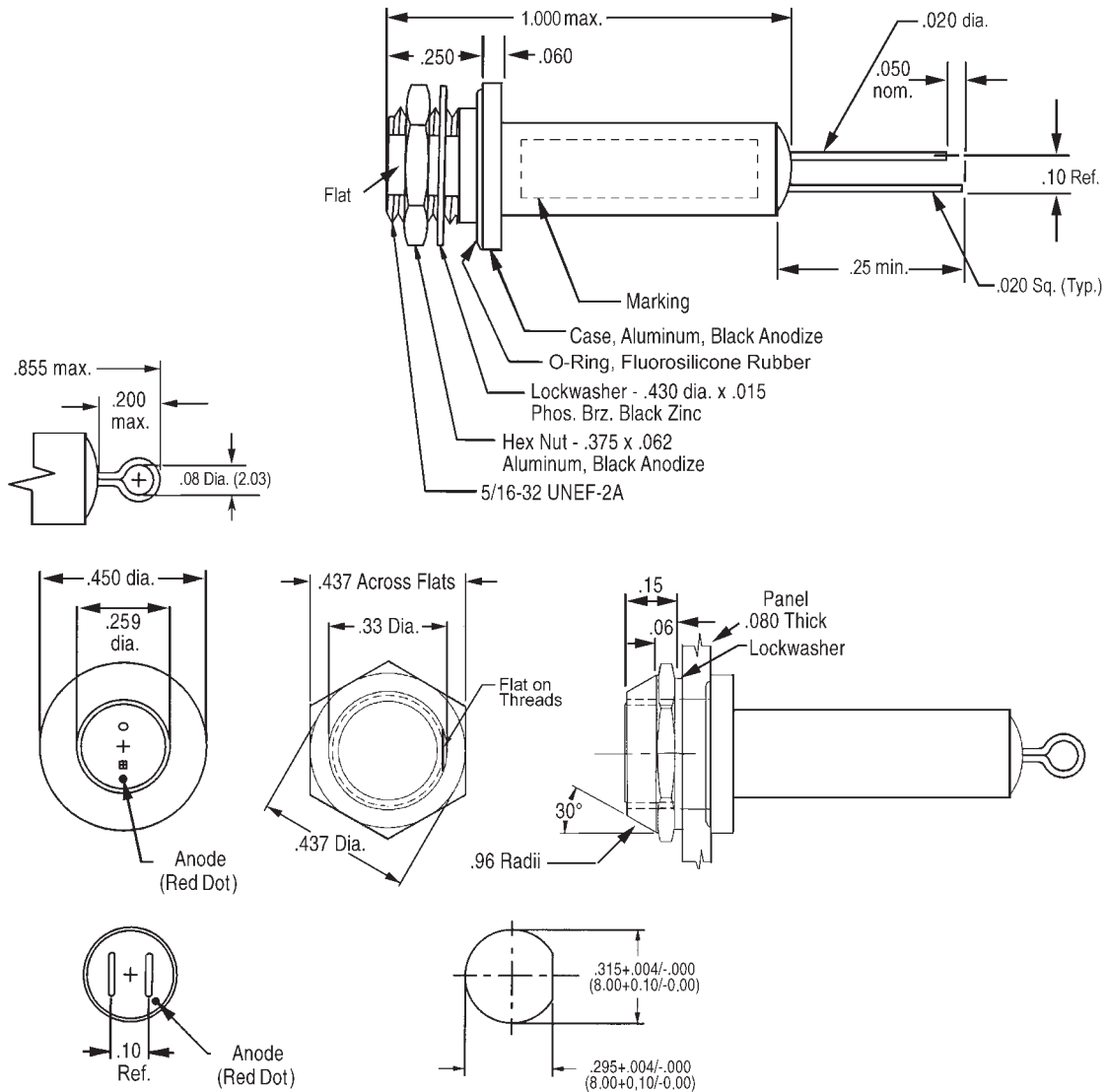
When ordering, show model number first, followed by LED color, then lens style, and terminal style. If this is a special part, a factory assigned modification number will be added at the end of the ordering number. Consult the factory for special configurations.

Example: Basic model with a yellow LED, a diffused lens, and straight leads would be ML4036-Y-D-ST.

ML4036 - Y - D - ST - ()

Standard factory options are designated by "-Sxxx"

Basic Model Number	LED Color	Lens Type	Terminal Style
ML4036	R Red	ND Non-diffused	ST Straight Leads
	Y Yellow	D Diffused	LT Loop Terminals
	G Green		



Recommended Mounting Hole

ML4036

NOTE: Dimensions in () are mm. Tolerances: Decimals: ± .010 (0.25)
Fractions: ± 1/64 Mounting Torque: 5-7 in. lbs.

This page consists of basic marketing information that is not defined as technical data under EAR Part 772.