



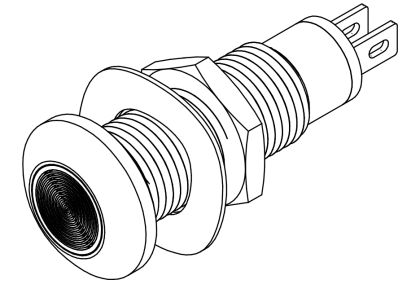
ML 5109 PANEL INDICATORS

FEATURES

- > Wide viewing angles
- > Multiple LED colors available
- > High intensity LED
- > Sealed to IP67 standard
- > Voltage options (*see chart*)
- > Suitable for AC or low voltage DC in any orientation
- > Industrial/external applications
- > Panel-suitable mounting
- > Bi-polar circuitry
- > Internal reverse protection diode fitted in all models
- > Internal resistor
- > Internal potting for protection
- > Viton rubber panel seal
- > Suitable for high vibration applications

Colors	Color Code
Red	R
Yellow	Y
Green	G
Blue	B
Cool White	C

Customized versions available upon request.



The ML 5109 Panel Indicators are rugged durable LED indicators that are suitable for panel mounting. These indicators are IP67 sealed for external functionality and feature internal potting for vibration control and durability to withstand industrial applications. Indicators suitable for AC or low voltage DC applications. Panel indicators are suitable for high vibration applications.

PROPERTIES

Material

Housing	303 Stainless Steel						
Hex Nut	303 Stainless Steel						
Lock Washer	Spring Steel						
Terminals	Silver Flash Coated Brass						
Mounting Hole	Ø 0.319						
Min. Panel Thickness	0.06						
Weight	8.6 grams						
Operational Temp.	-40°C to 75°C						
Storage Temp.	-40°C to 100°C						
Color Diffused Lens							
Optional Connections	Wire Leads <table border="1" data-bbox="483 1627 747 1738"> <thead> <tr> <th colspan="2">Wire Length (Inches)</th> </tr> </thead> <tbody> <tr> <td>WL</td> <td>6</td> </tr> <tr> <td>WX</td> <td>39</td> </tr> </tbody> </table> Brass — Tin Plated Connector	Wire Length (Inches)		WL	6	WX	39
Wire Length (Inches)							
WL	6						
WX	39						

ENVIRONMENTAL SPECIFICATIONS

Vibration	.06" D.A. or 20G peak, whichever is less, 10 Hz to 2 kHz, MIL-STD-202, Method 204, Test Condition D
Shock	100G'S MIL-STD-202, Method 213, Test Condition I
Moisture Resistance (Humidity)	MIL-STD-202, Method 106
Barometric Pressure (Reduced)	100,000 FT. MIL-STD-202, Method 105, Test Condition D
Salt Atmosphere	MIL-STD-202, Method 101, Test Condition B

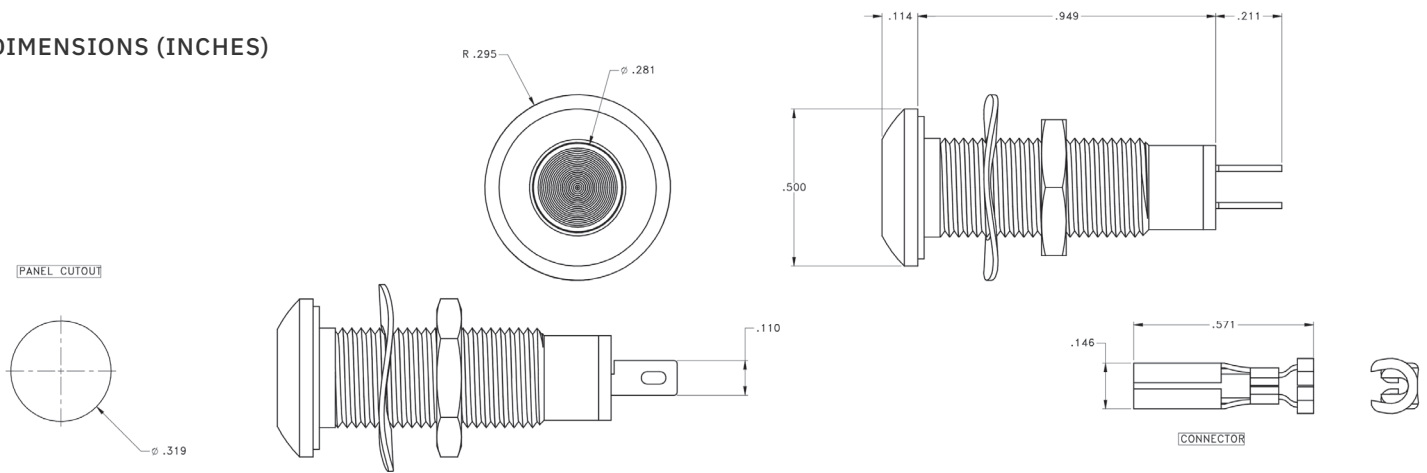
ELECTRO-OPTICAL SPECIFICATIONS

ELECTRICAL SPECIFICATIONS

CHARACTERISTICS								ML5109-()-D-()-()									
	Voltage (Vac/dc)		Current (mA)		Red	Yellow	Green	Blue	Cool White								
	Typical		Typical														
Typical Luminous Intensity ^[1] (mcd)	12/28		6 – 16		236	217	1360	270	743								
	110		7		112	103	814	154	393								
Typical Wavelength (λp)	(12/28)	(110)	(6 – 16)		625	590	520	470	SEE BELOW								
^[1] Measured at 10mA for 12 – 28V																	
TYPICAL EMISSION COOL WHITE																	
			X	0.275	0.280	0.290											
			Y	0.270	0.280	0.300											
Max. Power Dissipation			825 mW														

Voltage (Vac/dc)
12 – 28
110

DIMENSIONS (INCHES)



ML 5109 ORDERING INFORMATION

Model No.	Color	Voltage	Model No.	Color	Voltage
ML5109-R-D-T-12/28	Red	12/28	ML5109-R-D-T-110	Red	110
ML5109-Y-D-T-12/28	Yellow	12/28	ML5109-Y-D-T-110	Yellow	110
ML5109-G-D-T-12/28	Green	12/28	ML5109-G-D-T-110	Green	110
ML5109-B-D-T-12/28	Blue	12/28	ML5109-B-D-T-110	Blue	110
ML5109-C-D-T-12/28	Cool White	12/28	ML5109-C-D-T-110	Cool White	110
ML5109-R-D-WL-12/28	Red	12/28	ML5109-R-D-WL-110	Red	110
ML5109-Y-D-WL-12/28	Yellow	12/28	ML5109-Y-D-WL-110	Yellow	110
ML5109-G-D-WL-12/28	Green	12/28	ML5109-G-D-WL-110	Green	110
ML5109-B-D-WL-12/28	Blue	12/28	ML5109-B-D-WL-110	Blue	110
ML5109-C-D-WL-12/28	Cool White	12/28	ML5109-C-D-WL-110	Cool White	110
ML5109-R-D-WX-12/28	Red	12/28	ML5109-R-D-WX-110	Red	110
ML5109-Y-D-WX-12/28	Yellow	12/28	ML5109-Y-D-WX-110	Yellow	110
ML5109-G-D-WX-12/28	Green	12/28	ML5109-G-D-WX-110	Green	110
ML5109-B-D-WX-12/28	Blue	12/28	ML5109-B-D-WX-110	Blue	110
ML5109-C-D-WX-12/28	Cool White	12/28	ML5109-C-D-WX-110	Cool White	110

NOTE:

LABELING INFORMATION	
Laser etch case	ML5109
Laser etch date code	YYWW
Label ESD BAG:	Example:
Cage code	10236
Model number	ML5109-R-D-T-12/28
Date code (YYWW)	2032

ML 5109 Panel Indicators

© 2021 L3Harris Technologies, Inc. | 07/2021

Refer to your Trade Compliance Lead or Empowered Official for exact disclaimer language.

L3Harris Technologies is an agile global aerospace and defense technology innovator, delivering end-to-end solutions that meet customers' mission-critical needs. The company provides advanced defense and commercial technologies across air, land, sea, space and cyber domains.



1025 W. NASA Boulevard
Melbourne, FL 32919
t 513 943 2000 | f 513 943 2050
info@L3Harris.com