



## Miniature 10 Amps • 2PDT To MIL-PRF-83536

### SPECIFICATIONS

#### GENERAL

**Contact Arrangement**.....2PDT (2 Form C)  
**Weight**.....1.6 oz approx.  
 Designed to meet the requirements of MIL-PRF-83536

#### PERFORMANCE

##### Contact Rating (Note 1):

Resistive.....10 Amps @ 28 VDC or  
 115/208V 400 Hz  
 (Case Grounded)  
 Inductive.....8 Amps @ 28 VDC or  
 115/208V 400 Hz  
 2.5 Amps @ 115/208V 60 Hz  
 (Case Grounded)  
 Motor.....4 Amps @ 28 VDC or  
 115/208V 400 Hz  
 2 Amps @ 115/208V 60 Hz  
 (Case Grounded)  
 Lamp.....2 Amps @ 28 VDC or  
 115/208V 400 Hz  
 1.5 Amps @ 115/208V 60 Hz  
 (Case Grounded)

**Life** .....100,000 operations minimum @ rated  
 resistive load, 125°C

**Pull In Power**.....500 mw approx.

##### Operate/Release Time:

**DC Coil**      **AC Coil**  
 15 ms max    50 ms max

Excluding bounce time at nominal coil voltage

**Contact Bounce Time**.....1 ms max  
 @ rated contact load, 28 VDC

##### Contact Voltage Drop:

Before Life .....100 mv max @ 10 Amps  
 and 6 VDC  
 After Life .....125 mv max @ 10 Amps  
 and 6 VDC

#### ENVIRONMENTAL

**Temperature Range**.....-70°C to +125°C  
**Vibration** (Note 2).....0.12" DA 10 - 70 Hz  
 30 G's 70 - 3,000 Hz  
**Shock (Operating)**(Note 2) .....200 G's 6 ms

#### ELECTRICAL CHARACTERISTICS

**Duty Cycle**.....Continuous  
**Insulation Resistance** .....100 megohms  
 @ 500V 25°C

##### Dielectric Strength:

Sea Level:  
 Contact to Case .....1,250 VRMS  
 Contact to Coil .....1,250 VRMS  
 Coil to Case .....1,000 VRMS  
 Across Open Contacts .....1,250 VRMS  
 80,000 Feet:  
 All Points.....350 VRMS

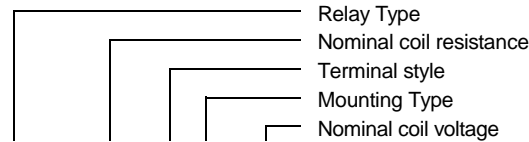
### MIL-PRF-83536/9 QUALIFIED to ER level M

#### Notes:

- For other ratings consult the factory.
- For applications requiring higher shock and vibration, consult the factory.
- AC coil line frequency 50 to 400 Hz.

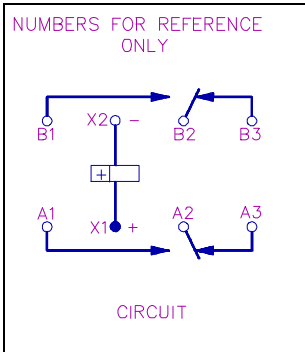
## COIL DATA:

MODEL BR246 PART NUMBER	BR246-20()()-6V	BR246-80()()-12V	BR246-320()()-28V	BR246-1000()()-48V	BR246AC-()()-115V (Note 3)
NOMINAL COIL VOLTAGE	6 VDC	12 VDC	28 VDC	48 VDC	115 VAC
MAXIMUM COIL VOLTAGE	8 VDC	15 VDC	29 VDC	59 VDC	122 VAC
PULL IN VOLTAGE (MAX @ +125°C)	4.5 VDC	9 VDC	18 VDC	36 VDC	90 VAC
DROP OUT VOLTAGE (MAX)	1.8 VDC	3.5 VDC	5.1 VDC	11 VDC	5 - 30 VAC
COIL RESISTANCE ± 10% @ 25°C	20 OHMS	80 OHMS	320 OHMS	1000 OHMS	I = 0.04 AMPS

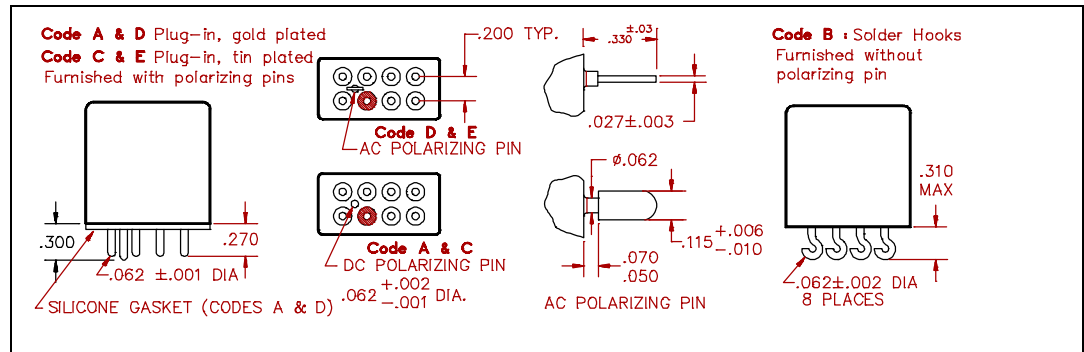


BR246 - 320 C 2 - 28V

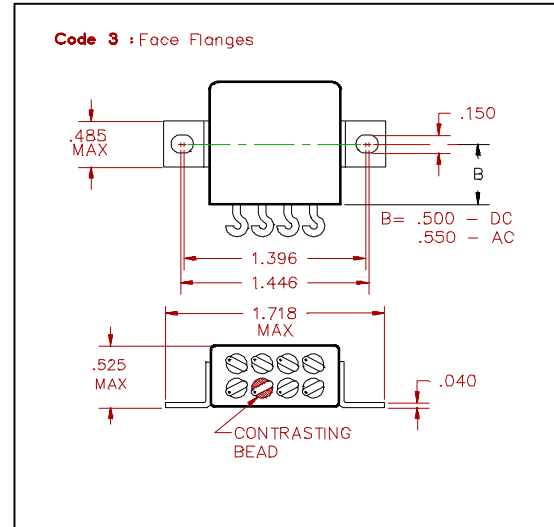
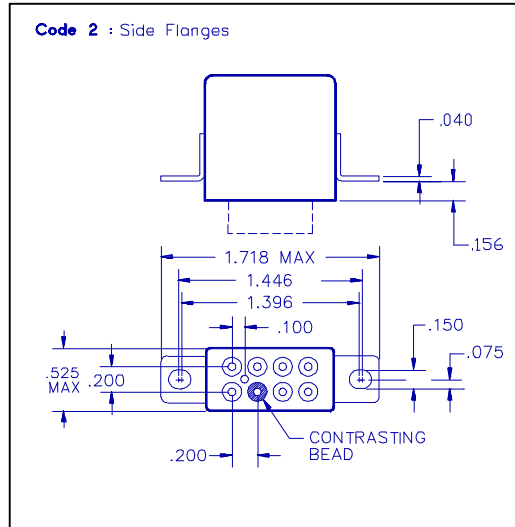
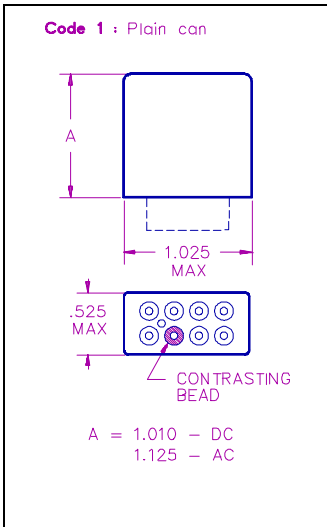
## SCHEMATIC TERMINAL VIEW



## TERMINAL STYLES



## MOUNTING CODES



## GENERAL NOTES

- Unless otherwise specified, all tests made at nominal coil voltages, @ 25°C.
- For special coil variations, switching configurations, terminals styles and mounting types, consult the factory.
- Unless otherwise specified, tolerances on decimal dimensions are ± .010".
- Specifications contained herein are subject to change without notice.