



Miniature 10 Amps • 2PDT Magnetic Latching To MIL-PRF-83536 DC Suppressed Coils

SPECIFICATIONS

GENERAL

Contact Arrangement..... 2PDT (2 Form C)
Magnetic Latching

Weight..... 1.4 oz approx.
Designed to meet the requirements of MIL-PRF-83536

PERFORMANCE

Contact Rating (Note 1):

Resistive..... 10 Amps @ 28 VDC or
115/208V 400 Hz
(Case Grounded)

Inductive..... 8 Amps @ 28 VDC or
115/208V 400 Hz
4 Amps @ 115/208V 60 Hz

Motor..... 4 Amps @ 28 VDC or
(Case Grounded)
115/208V 400 Hz
3 Amps @ 115/208V 60 Hz
(Case Grounded)

Lamp..... 2 Amps @ 28 VDC or
(Case Grounded)
115/208V 400 Hz
1.5 Amps @ 115/208V 60 Hz
(Case Grounded)

Life 100,000 operations minimum @ rated
resistive load, 125°C

Latch/Reset Power 500 mw approx.

Latch/Reset Time:

Excluding bounce time at nominal coil voltage

Contact Bounce Time..... 1 ms max
@ rated contact load, 28 VDC

Contact Voltage Drop:

Before Life 100 mv max @ 10 Amps
and 6 VDC

After Life 125 mv max @ 10 Amps
and 6 VDC

ENVIRONMENTAL

Temperature Range..... -70°C to +125°C

Vibration (Note 2)..... 0.12" DA 10 - 70 Hz
30 G's 70 - 3,000 Hz

Shock (Operating)(Note 2) 200 G's 6 ms

ELECTRICAL CHARACTERISTICS

Duty Cycle..... Continuous

Insulation Resistance 100 megohms
@ 500V 25°C

Dielectric Strength:

Sea Level:

Contact to Case 1,250 VRMS

Contact to Coil 1,250 VRMS

Coil to Case 1,000 VRMS

Across Open Contacts 1,250 VRMS

80,000 Feet:

All Points..... 350 VRMS

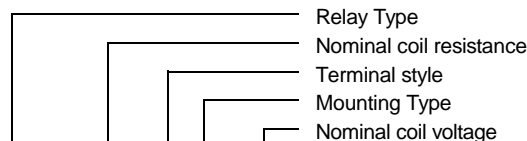
MIL-PRF-83536/13 QUALIFIED to ER level L

Notes:

- For other ratings consult the factory.
- For applications requiring higher shock and vibration, consult the factory.
- AC coil line frequency 50 to 400 Hz.

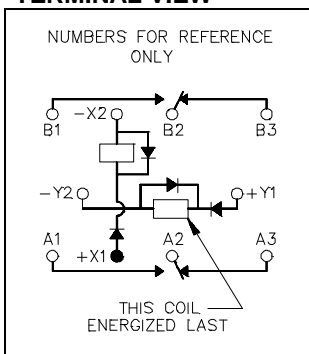
COIL DATA:

MODEL BR247D PART NUMBER	BR247D-38() ⁽¹⁾ -6V	BR247D-150() ⁽¹⁾ -12V	BR247D-600() ⁽¹⁾ -28V	BR247D-1550() ⁽¹⁾ -48V
NOMINAL COIL VOLTAGE	6 VDC	12 VDC	28 VDC	48 VDC
MAXIMUM COIL VOLTAGE	8 VDC	15 VDC	29 VDC	59 VDC
LATCH/RESET VOLTAGE (MAX @ +125°C)	4.5 VDC	9 VDC	18 VDC	36 VDC
LATCH/RESET VOLTAGE (MAX)	3 VDC	6 VDC	13 VDC	24 VDC
MAXIMUM BACK EMF	3 VDC	3 VDC	3 VDC	3 VDC
COIL RESISTANCE ± 10% @ 25°C	38 OHMS	150 OHMS	600 OHMS	1550 OHMS

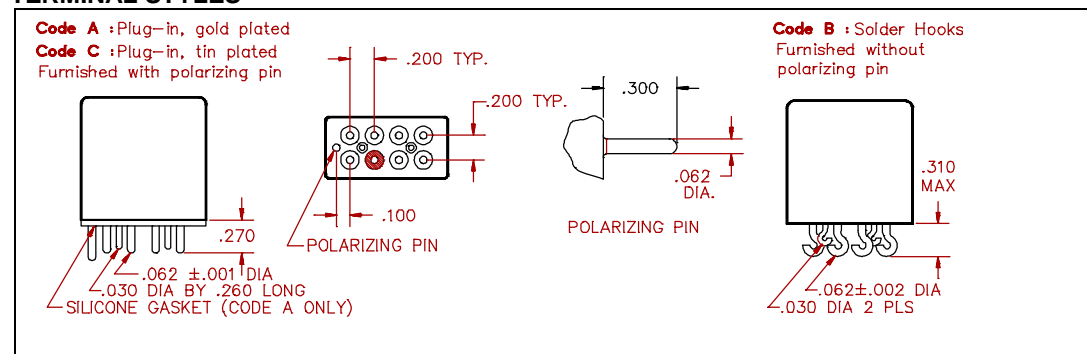


BR247D - 600 A 1 - 28V

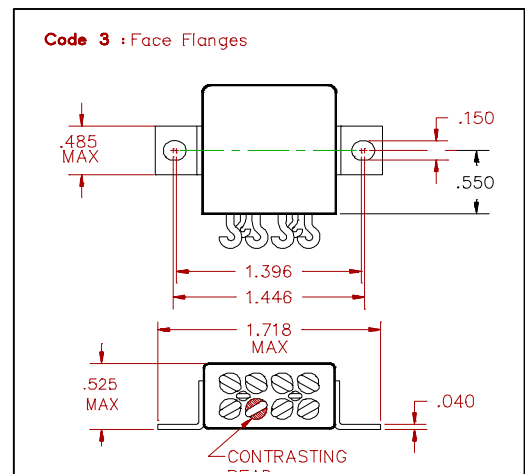
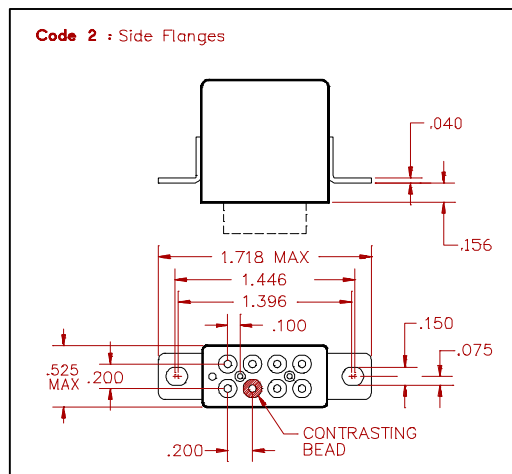
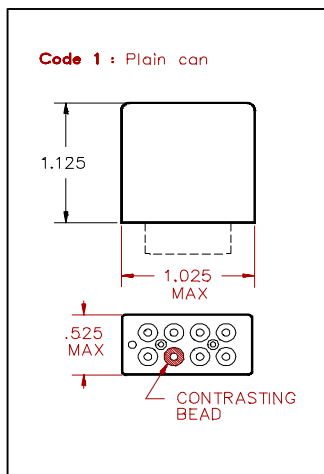
SCHEMATIC TERMINAL VIEW



TERMINAL STYLES



MOUNTING CODES



GENERAL NOTES

- Unless otherwise specified, all tests made at nominal coil voltages, @ 25°C.
- For special coil variations, switching configurations, terminals styles and mounting types, consult the factory.
- Unless otherwise specified, tolerances on decimal dimensions are ± .010".
- Specifications contained herein are subject to change without notice.