

Rebling Datasheet: Avionics Receptacle Style 1 with Threaded Posts

The members of Rebling's family of avionics bulkhead-mounted receptacle connectors conform to and are QPL'd to Mil Specs MS25182, MS3509, Mil-PRF-18148, Mil-E-18148 and Mil-E-81099 and are available under Rebling's Cage Code 30525. The receptacles highlighted on this datasheet are those which have straight threaded posts as the termination configuration at the rear of the receptacle. Receptacles with different profiles and different rear termination options can be found on other datasheets.

Electrical (per MIL PRF 18148)

Current	
Rated Current -----	750 amps
Peak Current -----	1,500 amps

Voltage & Resistance	
Rated Voltage (DC) -----	750 volts
Dielectric Withstanding Voltage (DC) -----	2,500 volts
Contact Resistance (maximum) -----	60 micro-ohms

Mechanical (per MIL PRF 18148)

Flammability Rating -----	UL94 HB
Environmental Sealing with standard Kit Components -----	IP56
with Optional Gasket -----	IP68
Operating Temperature -----	-85 to +71 C°
Mechanical Shock -----	20 Gs – 3 axes
Vibration -----	10 Gs – 3 axes
Mating Cycles (no electrical load) -----	1,500 cycles
Maximum Wire Size: -----	3/0 (80 mm ²)
Maximum Terminal Lug Tongue Width -----	0.76" (19.3 mm) Maximum
Terminal Lug Web Width -----	0.22" (5.6 mm)
Recommended Torque on Electrical Connection Nuts -----	30 - 40 in-lbs (3.4 - 4.5 Nm)

Compliance

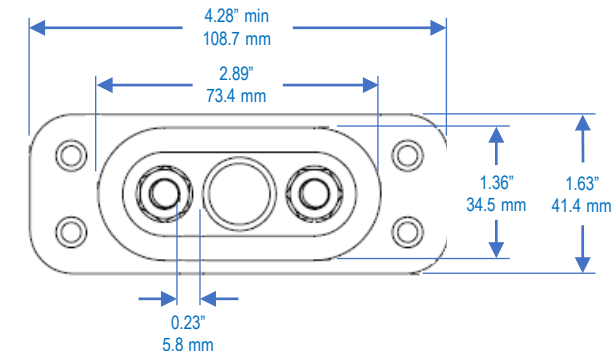
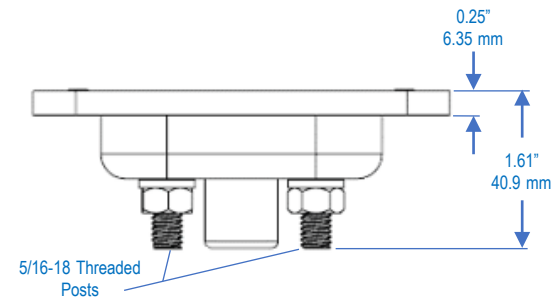
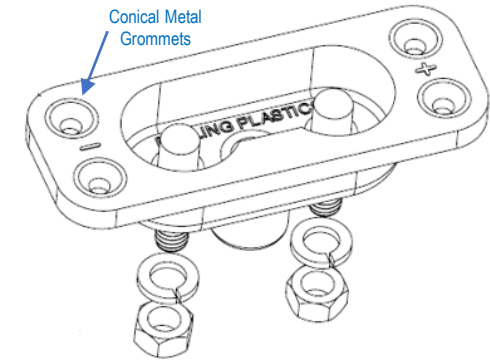
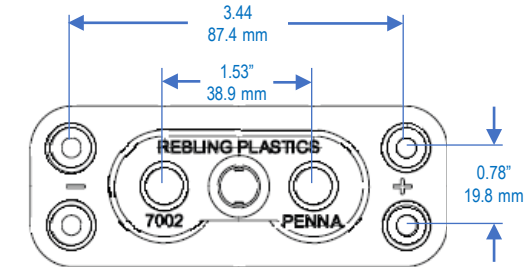
RoHS, REACH, CMRT/3TG All parts listed on this datasheet are RoHS, REACH and CMRT/3TG Compliant

Mounting and Assembly

Recommended Torque on the 5/16 electrical connection nuts -----	30-40 in-lbs (3.4-4.5 Nm)
Torque on the 5/16 electrical connection nuts that causes material failure -----	80 in-lbs (9 Nm)

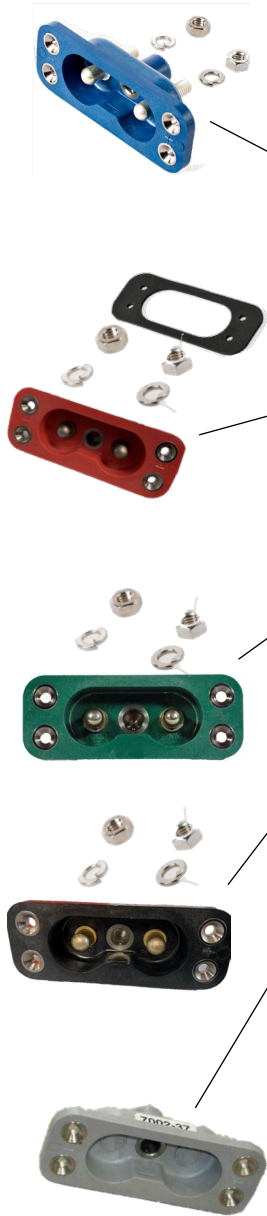
Application Notes

1. When attaching large cables to the rear threaded posts, use Burndy narrow tongue crimp lugs
2. #8 or M4 flathead 82 degree screws are recommended for mounting the connector to the panel
3. EMI Shielded Receptacles - see the datasheet for Rebling's EMI Receptacle P/N 7009-51



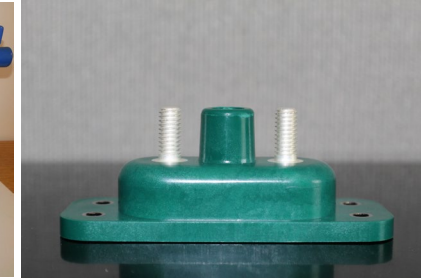
For complete dimensions, download 3D Step files of Receptacle and Accessories at Rebling.com

Rebling Datasheet: Avionics Receptacle Style 1 with Threaded Posts



P/N	Description	Plastic Color	Weight (Grams)
7002-7	Receptacle Kit, Blue	Blue	116
7002-5-20	Receptacle Kit, Pink + Gasket	Pink	126
7002-5-30	Receptacle Kit, Pink	Pink	116
7002-5-30G	Receptacle Kit, Green	Green	116
7002-9	Receptacle Kit, Black	Black	116
7002-37	Receptacle with no Contacts, Gray	Gray	84

*Receptacle Kit = one Receptacle + two Nuts + two Split Washers
Gaskets and Protective Backshells can be found on the Avionics Receptacle Accessories Datasheet



Mounting Hole Pattern

