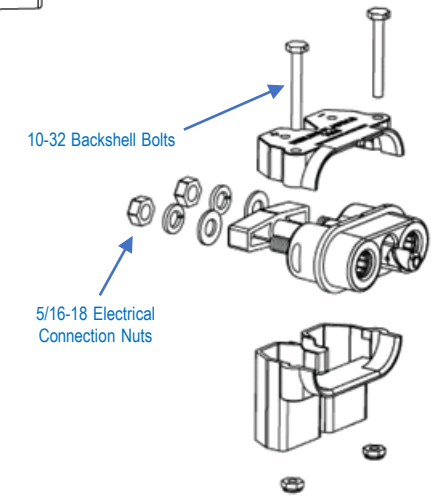
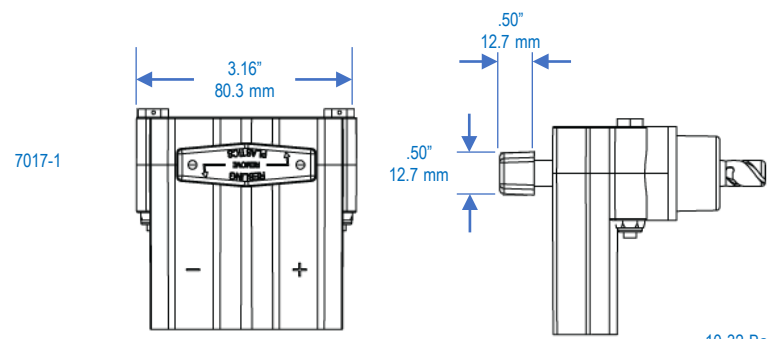
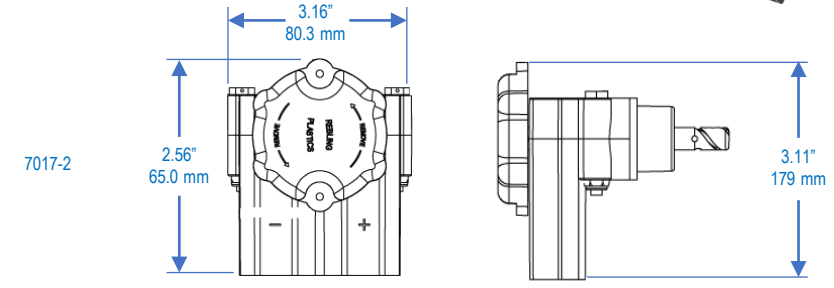
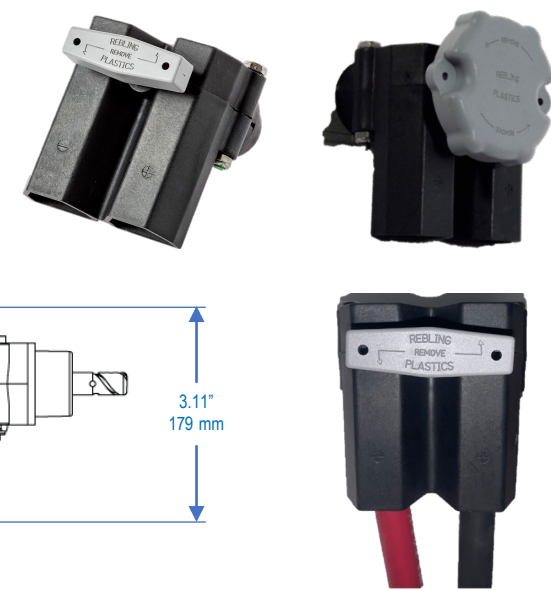


# Rebling Datasheet: 7017 Avionics Cable-Mounted Plug

All of our two pole, avionics-grade, quick disconnect, cable-mounted plugs are designed to mate with our avionics-grade, bulkhead-mounted receptacles. The quick disconnect feature enables an operator, even with double-gloved hands, to rotate the handle clockwise to engage the connector and lock it in place then to rotate the handle counter-clockwise to disengage the electrical contacts and unlock the connector. Polarity markings on the outside and inside of the connector are clearly visible and the mechanical polarizing design prevents it from being mis-mated. All fastening and mechanical hardware components are composed of stainless steel.



## Electrical (per MIL PRF 18148)

<b>Current</b>	
Rated Current	750 amps
Peak Current	1,500 amps
<b>Voltage &amp; Resistance</b>	
Rated Voltage (DC)	750 volts
Dielectric Withstanding Voltage (DC)	2,500 volts
Contact Resistance (maximum)	60 micro-ohms

## Mechanical (per MIL PRF 18148)

Flammability Rating	UL94 V-0
Environmental Sealing with standard kit components	IP13
Operating Temperature	-85 to +71 C°
Mechanical Shock	20 Gs – 3 axes
Vibration	10 Gs – 3 axes
Mating Cycles (no electrical load)	5,000 cycles
Maximum Wire Size	4/0 (110 mm <sup>2</sup> )
Maximum Cable Outside Diameter	0.76" (19.3 mm)
Maximum Crimp Lug Tongue Width	1.06" (26.9 mm)
Maximum Crimp Lug Web Width	0.35" (8.9 mm)
Recommended Torque on Electrical Connection Nuts	40 - 50 in-lbs (4.5 - 5.6 Nm)

## Compliance

RoHS, REACH, CMRT/3TG All parts listed on this datasheet are RoHS, REACH and CMRT/3TG Compliant

## Assembly

Recommended Torque on the 5/16 electrical connection nuts	40 - 50 in-lbs (4.5 - 5.6 Nm)
Recommended Torque on the 10-32 backshell bolts	6 - 8 in-lbs (0.7 - 0.9 Nm)

## Application Notes

- When attaching large cables to the threaded posts, use Burndy narrow tongue crimp lugs

For complete dimensions, download 3D Step files at [Rebling.com](http://Rebling.com)



P/N	Description	Plastic Color	Weight (Grams)	Handle Type
7017-1	Cable-mounted Avionics Plug, 2 wire, T-Handle	Black	264	Tee
7017-2	Cable-mounted Avionics Plug, 2 wire, Round Handle	Black	260	Round