

# Series - 8854

# MINIATURE POSITIVE ACTION SWITCHES 4-Pole Miniature Positive Action Switch Series

FEATURES	SPECIFICATIONS	CURRENT RATINGS								
		No. of Poles	Catalog Number	Type of Operation	28VDC (Amperes per pole)		115VAC 60Hz and 400Hz (Amperes per pole)			
					Resistive Load 28VDC	Inductive Load 28VDC	Resistive Load		Inductive Load	
		60Hz	400Hz	60Hz	400Hz	60Hz	400Hz			
<ul style="list-style-type: none"> <li>Made to MIL-DTL-8834 Requirements</li> <li>Sealed bushing</li> <li>Current rating versatility</li> <li>4 pole circuitry (Maintained &amp; Momentary variations)</li> <li>Non-teasible mechanism for all but center "on" position</li> <li>Dry circuit (logic loads loads) to power switching levels</li> <li>Wiping action contacts</li> <li>Positive make and break action</li> <li>11/16" Lever Length &amp; 15/32" bushing dia.</li> <li>Solder-lug terminals</li> </ul>	<ul style="list-style-type: none"> <li>Bushing seal per MIL-DTL-8834</li> <li>Meets 0.5" Head of Water</li> <li>Temperature Range: -22°F to +149°F -30°C to +65°C</li> <li>Electrical Life: 20,000 Operations at rated load</li> <li>Mechanical Life: 40,000 Operations</li> </ul>	4	8854	Maintained and Momentary	5	1	2	3	1	2

Minimum Rating: 25 microamperes at 5 millivolts.

## SELECTION TABLE

CIRCUIT WITH LEVER IN . . .			
Up Position	Center Position	Down Position (Keyway)	Catalog Number ②
<b>FOUR POLE</b>			
ON	OFF	ON	8854K1
ON	NONE	OFF	K7
ON	NONE	ON	K4
ON	OFF	NONE	K5
ON *	OFF	ON *	K2
NONE	OFF	ON *	K6
ON	OFF	ON *	K3
NONE	ON	ON *	K8 ①
ON	ON	ON	K9 ①
ON	ON	ON *	K10 ①
ON *	ON	ON *	K11 ①



**\* Momentary contact.**

① Dielectric per MIL-DTL-8834 except limited to 1250 Volts. Delayed action of the switch toggle lever may cause circuit to close or open before snap action mechanism trips.

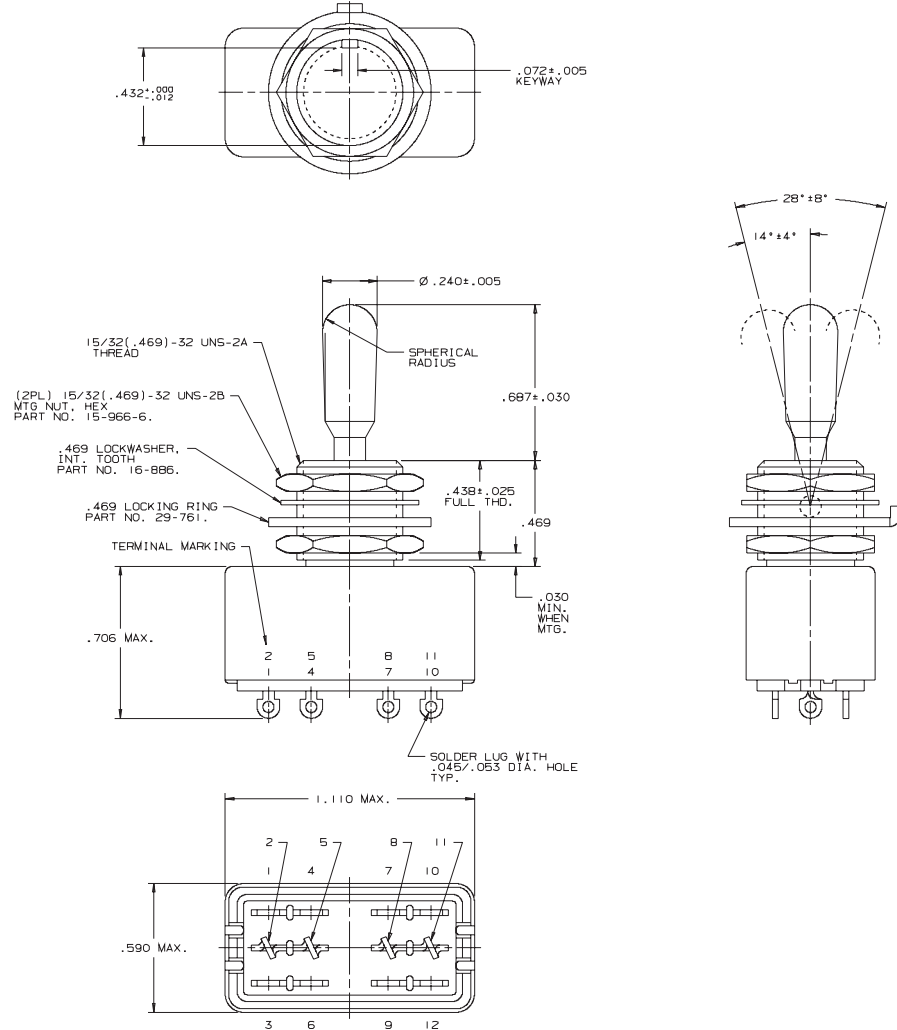
② Caution should be exercised during soldering and flux removal. See page A56 for details.

# MINIATURE POSITIVE ACTION SWITCHES

Series - 8854

4-Pole Miniature Positive Action Switch Series

## MOUNTING DIMENSIONS - FOUR POLE / 8854



### Terminal Identification

**STANDARD**  
 0.00 = inches  
 [0,0] = mm

Mounting dimensions for reference only.

Non-functional terminals not supplied.