

PUSHBUTTON SWITCHES

Series - C20050

Momentary Snap Action Pushbutton Switches

FEATURES	SPECIFICATIONS	CURRENT RATINGS					
		Part Number	Number of Poles	Type of Operation	120VAC ^①	120VDC	230VDC ^②
<ul style="list-style-type: none"> • Snap action pushbutton • Compact size • Black or red buttons available • Momentary 	<ul style="list-style-type: none"> • Meets MIL-PRF-8805/20 • Operating force: 3.5 ± 1 lb (2.48kg ± .68kg) • Electrical life: 40,000 operations minimum at rated load • Mechanical life: 50,000 operations minimum • Terminal strength: 5 lbs (2.25kg) • Single pole, two circuit • Weight approx.: .02 lb (9g) 	C20050	1	Momentary	15	1	0.05
		^① p.f.=.50 ^② 5,000 operations					

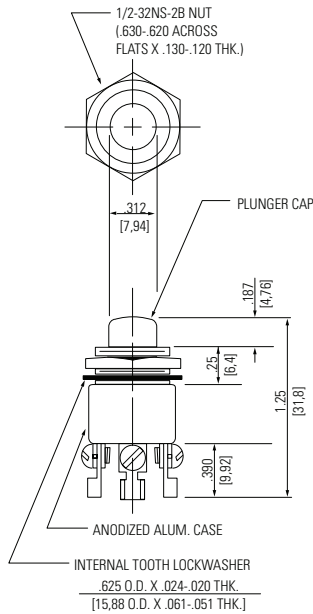
SELECTION TABLE



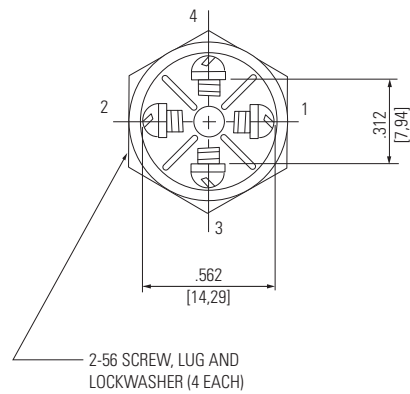
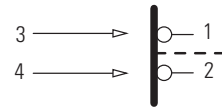
C20050

Circuit	Operation	Case Color	Button Color	Catalog Number	Military Part Number
1 P-2 Ckt.	Momentary	Clear	Black	C20050	MS16712-1
1 P-2 Ckt.	Momentary	Clear	Red	C20050R	MS16712-2

APPROXIMATE DIMENSIONS - C20050



BASIC SWITCH SCHEMATIC DIAGRAM



Mounting and terminal hardware supplied unassembled.

STANDARD
0.00 = inches
[0,0] = mm

Dimensions for reference only.