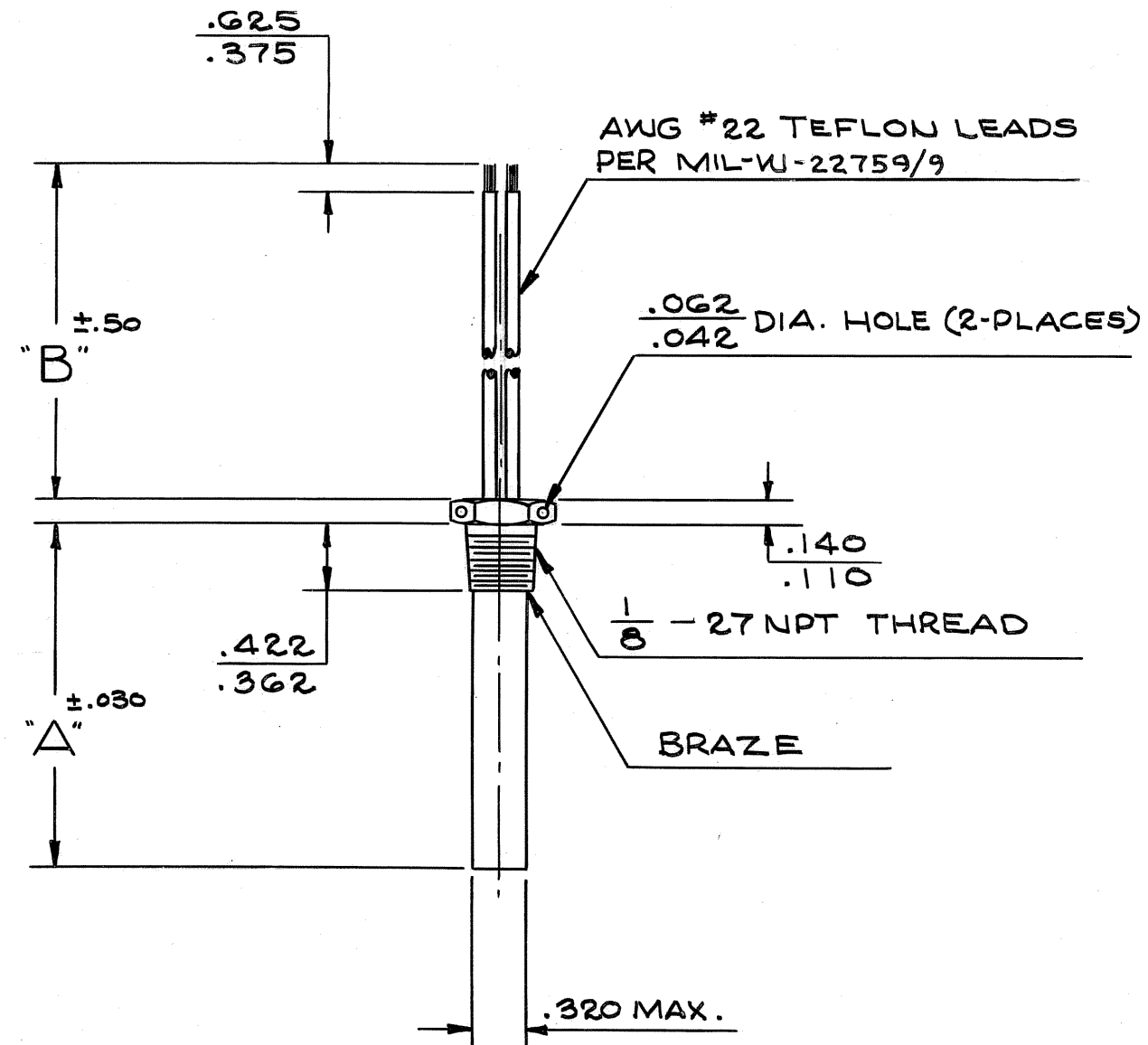
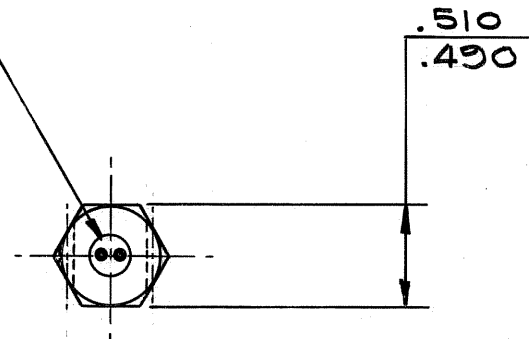


REVISIONS				
ZONE	LTR	DESCRIPTION	DATE	APPROVED
-	B	REVISED AND REDRAWN	6-30-67	R.M.
C 4	C	WIRE SPEC. WAS: MIL-W-16878 Typ. EE. CRM13006 O.L.	4-16-93	

STYCAST #2651
POTTING COMPOUND



"A" AVAILABLE IN 1/2" INCREMENTS FROM .500" TO 4.00"

"B" AVAILABLE IN INCREMENTS OF .6"

OPERATING TEMPERATURES:
OPEN ---°F ± ---°F
CLOSE ---°F ± ---°F

MATERIAL: 300 SERIES STAINLESS STEEL

BASIC THERMOSTAT: 3BT TYPE

STAMP ON METAL TAG "KLIXON ® MADE IN U.S.A.
AND PART NO."

TAG TO BE ATTACHED TO EACH UNIT THRU SAFETY
WIRE HOLES.

UNLESS OTHERWISE SPECIFIED DIMENSIONS ARE IN INCHES	BY R.J. MULHERN	DATE 6-30-67	METALS & CONTROLS INC. ATTLEBORO, MASSACHUSETTS, U.S.A. A CORPORATE DIVISION OF TEXAS INSTRUMENTS INCORPORATED	CONTROL PRODUCTS GROUP
	CH.			
TOLERANCE ON FRACTIONS DECIMALS ANGLES ± 1/32 ± .062 ± 5°	ENG.		STANDARD PROBE TYPE THERMOSTAT ENVELOPE DRAWING	
MATERIAL	APPROVED			
	SIZE B	CODE INDENT NO. 82647	21544	
	SCALE FULL		SHEET	