

5

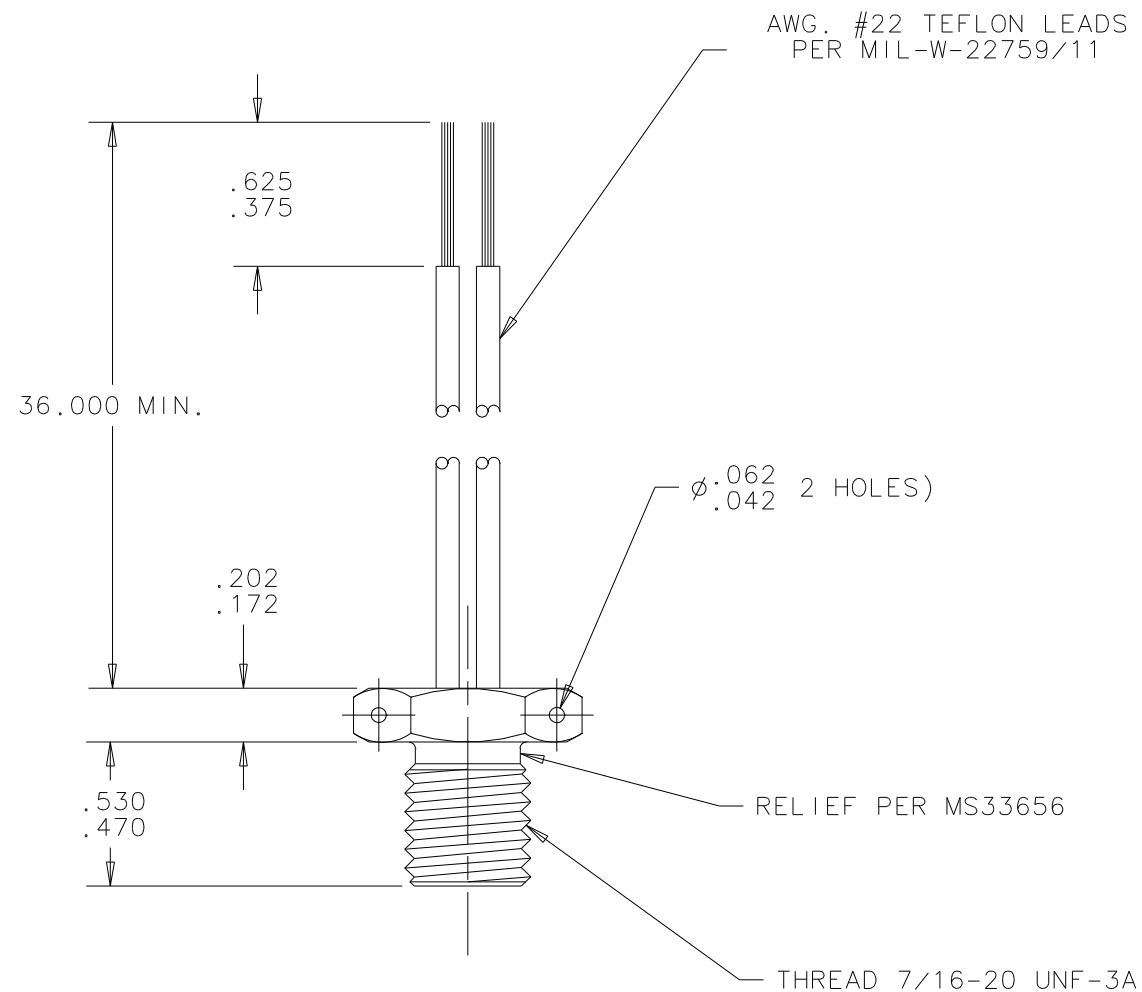
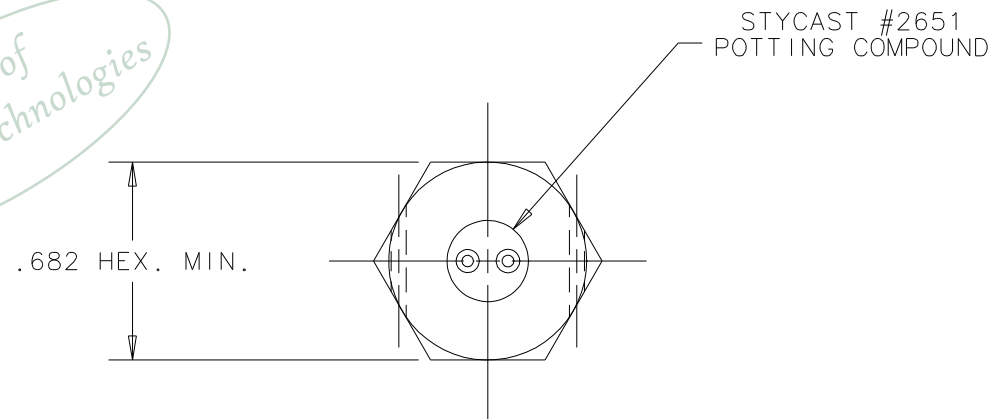
4

3

2

1

Property of
Sensata Technologies



REVISIONS					
ZONE	LTR	DESCRIPTION	PROJ.# 1063	DATE	APPROVED
C4	C	1; "MIL-W-22759/11" WAS TYPE EE"	"MIL-W-16878 CRM13006, CFF	4-20-93	



CHARACTERISTICS:

THERMOSTAT: 3BT TYPE

PKG. TO BE CHECKED TOTALLY IMMERSED

STAMP - KLINON ® MADE IN U.S.A. AND PART NO. ON TAG ATTACHED TO EACH PKG. THRU SAFETY WIRE HOLES.

SUPERSEDES DWG. 21561-1 REV. "B", DATED 5-15-92

UNLESS OTHERWISE SPECIFIED DIMENSIONS ARE IN INCHES		BY CHAS. FLEURANT	DATE 4-9-92	 TEXAS INSTRUMENTS ATTLEBORO, MASSACHUSETTS 02703	 KLIxon CONTROL PRODUCTS DIVISION
TOLERANCES ON FRACTIONS DECIMALS INCHES		CH.			
MATERIAL		ENG.		TITLE THERMAL SWITCH PACKAGE	
		APPROVED		SIZE B	CODE IDENT NO. 82647
				21561-1	
SHEET 1 OF 1					