

# 6752-12 SERIES

2½ to 65 Amp, Single-Phase, Ambient Compensated

## Introduction

The Klixon® 6752-12 series thermal-magnetic circuit breakers are designed and manufactured to meet the more stringent military standards of today's aircraft electrical systems.

The interrupting capacity, vibration resistance and longer cycling life of the 6752-12 series exceed previous military standards. In addition, the 6752-12 series provide ambient compensation, fault coordination of all ratings, and an option for auxiliary circuits.



## Features

- Trip-free design
- Single-phase
- Ambient compensated
- MIL-DTL-27715 qualified
- Current rating: 2.5 to 65 amps
- Long, trouble-free operation: 20,000 operating cycles
- High vibration resistance
- High interrupting capacity
- Option available: Auxiliary circuits
- Circuit protection unaffected by temperature fluctuations (ambient compensated from -53.9°C to 93.3°C)
- Only faulted line circuits opened (coordination ratings insure that branch circuit breakers trip first under fault conditions)
- Typical use: Aircraft electrical systems

## PERFORMANCE CHARACTERISTICS

<b>Vibrations</b>	10G minimum, 5–2,000 Hz (other vibration levels available)
<b>Mechanical Shock</b>	25G
<b>Acceleration</b>	10G
<b>Weight</b>	0.2 pound maximum
<b>Interrupt Current</b>	2½–65 amps: 6,000 amps at 30 VDC 2½–50 amps: 6,000 amps at 120 VAC, 400 Hz 65 amps, 3000 amps at 120VAC, 400 Hz
<b>Endurance</b>	5,000 cycles: 120 VAC, 400 Hz inductive 5,000 cycles: 120 VAC, 400 Hz resistive 10,000 cycles: Mechanical, no load 20,000 cycles: Total



## AMPS, VOLTS, MS CROSS

Klixon® Part	Mil-spec Number		Amp	Voltage Drop
6752-12-2½	MS 24571-2	MS 24571-2V	2.5	0.60
6752-12-5	MS 24571-5	MS 24571-5V	5	0.40
6752-12-7½	MS 24571-7	MS 24571-7V	7.5	0.30
6752-12-10	MS 24571-10	MS 24571-10V	10	0.25
6752-12-15	MS 24571-15	MS 24571-15V	15	0.25
6752-12-20	MS 24571-20	MS 24571-20V	20	0.25
6752-12-25	MS 24571-25	MS 24571-25V	25	0.25
6752-12-35	MS 24571-35	MS 24571-35V	35	0.25
6752-12-50	MS 24571-50	MS 24571-50V	50	0.25
6752-12-65	-	-	65	.030

When ordering, request S.R. 12507-356 to mark MS part number with "V".



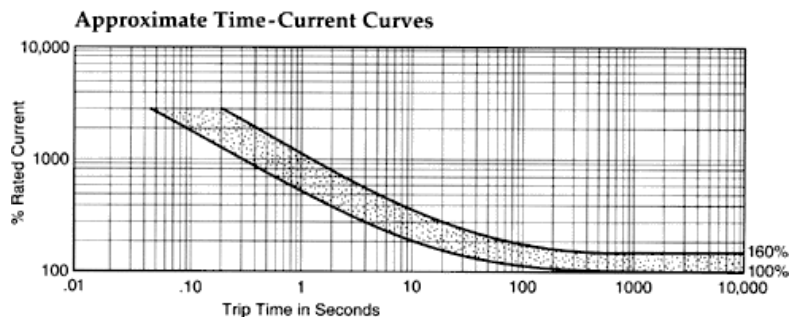
## CALIBRATION CHART

For a Standard Device

Device	Trip Time (in seconds)		
	200%	500%	1000%
6752-12-2½	12-32	2.30-6.50	0.32-1.10
6752-12-5	14-36	2.50-6.50	0.45-1.10
6752-12-7½	16-40	2.50-7.00	0.34-1.10
6752-12-10	18-42	2.70-7.75	0.45-1.20
6752-12-15	20-45	2.70-8.00	0.36-1.20
6752-12-20	20-48	2.70-8.00	0.36-1.20
6752-12-25	20-50	2.70-9.50	0.36-1.20
6752-12-35	20-53	2.70-8.00	0.36-1.20
6752-12-50	20-55	2.70-10.00	0.36-1.40
6752-12-65	15-65	2.3-7.5	-



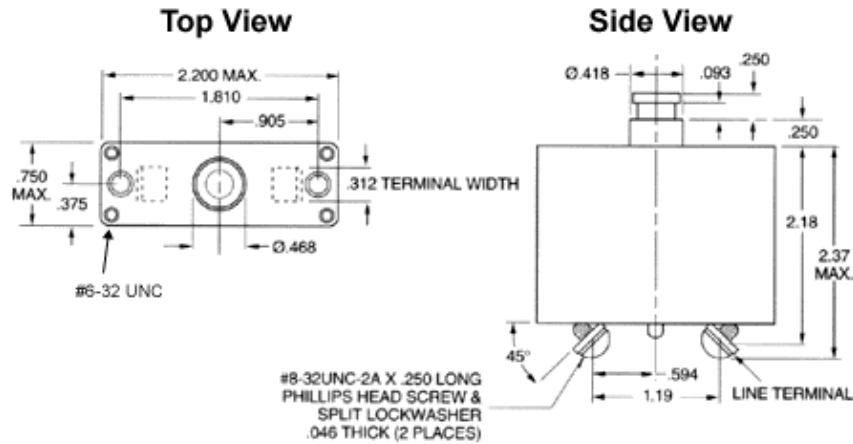
## TRIP CURVE





# DIMENSIONS

Dimensions in mm [Inch]



Sensata Technologies, Inc. ("Sensata") data sheets are solely intended to assist designers ("Buyers") who are developing systems that incorporate Sensata products (also referred to herein as "components"). Buyer understands and agrees that Buyer remains responsible for using its independent analysis, evaluation and judgment in designing Buyer's systems and products. Sensata data sheets have been created using standard laboratory conditions and engineering practices. Sensata has not conducted any testing other than that specifically described in the published documentation for a particular data sheet. Sensata may make corrections, enhancements, improvements and other changes to its data sheets or components without notice.

Buyers are authorized to use Sensata data sheets with the Sensata component(s) identified in each particular data sheet. HOWEVER, NO OTHER LICENSE, EXPRESS OR IMPLIED, BY ESTOPPEL OR OTHERWISE TO ANY OTHER SENSATA INTELLECTUAL PROPERTY RIGHT, AND NO LICENSE TO ANY THIRD PARTY TECHNOLOGY OR INTELLECTUAL PROPERTY RIGHT, IS GRANTED HEREIN. SENSATA DATA SHEETS ARE PROVIDED "AS IS". SENSATA MAKES NO WARRANTIES OR REPRESENTATIONS WITH REGARD TO THE DATA SHEETS OR USE OF THE DATA SHEETS, EXPRESS, IMPLIED OR STATUTORY, INCLUDING ACCURACY OR COMPLETENESS. SENSATA DISCLAIMS ANY WARRANTY OF TITLE AND ANY IMPLIED WARRANTIES OF MERCHANTABILITY, FITNESS FOR A PARTICULAR PURPOSE, QUIET ENJOYMENT, QUIET POSSESSION, AND NON-INFRINGEMENT OF ANY THIRD PARTY INTELLECTUAL PROPERTY RIGHTS WITH REGARD TO SENSATA DATA SHEETS OR USE THEREOF.

All products are sold subject to Sensata's terms and conditions of sale supplied at [www.sensata.com](http://www.sensata.com) SENSATA ASSUMES NO LIABILITY FOR APPLICATIONS ASSISTANCE OR THE DESIGN OF BUYERS' PRODUCTS. BUYER ACKNOWLEDGES AND AGREES THAT IT IS SOLELY RESPONSIBLE FOR COMPLIANCE WITH ALL LEGAL, REGULATORY AND SAFETY-RELATED REQUIREMENTS CONCERNING ITS PRODUCTS, AND ANY USE OF SENSATA COMPONENTS IN ITS APPLICATIONS, NOTWITHSTANDING ANY APPLICATIONS-RELATED INFORMATION OR SUPPORT THAT MAY BE PROVIDED BY SENSATA.

Mailing Address: Sensata Technologies, Inc., 529 Pleasant Street, Attleboro, MA 02703, USA.

## CONTACT US

### Americas

+1 (508)-236-3287  
[klixon@sensata.com](mailto:klixon@sensata.com)

### AUTHORIZED DISTRIBUTORS

Flame Enterprises  
 Bob Correa, Director of Product Management  
 +1 (240) 236-9802  
[bcorrea@flamecorp.com](mailto:bcorrea@flamecorp.com)  
[info@flamecorp.com](http://info@flamecorp.com) | Web  
 Tel: 1-800-854-2255 or 1-818-700-2905  
 Fax: 1-818-407-5080

Peerless Electronics  
 Steve Gunther, National Sales Manager

+1 (516) 594-3509  
[sgunther@peerlesselectronics.com](mailto:sgunther@peerlesselectronics.com)  
[nysales@peerlesselectronics.com](mailto:nysales@peerlesselectronics.com)  
 Tel: 1-800-285-2121  
 Fax: 1-800-222-8096

### Europe, Middle East & Africa

Flame Enterprises  
 Bob Correa, Director of Product Management  
 +1 (240) 236-9802  
[bcorrea@flamecorp.com](mailto:bcorrea@flamecorp.com)  
[info@flamecorp.com](http://info@flamecorp.com) | Web  
 Tel: 1-800-854-2255 or 1-818-700-2905  
 Fax: 1-818-407-5080