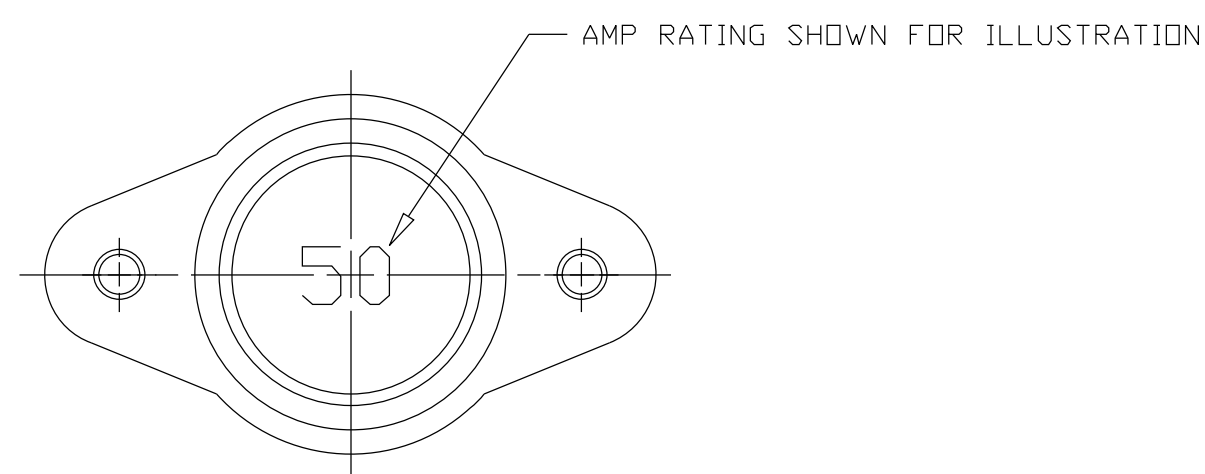
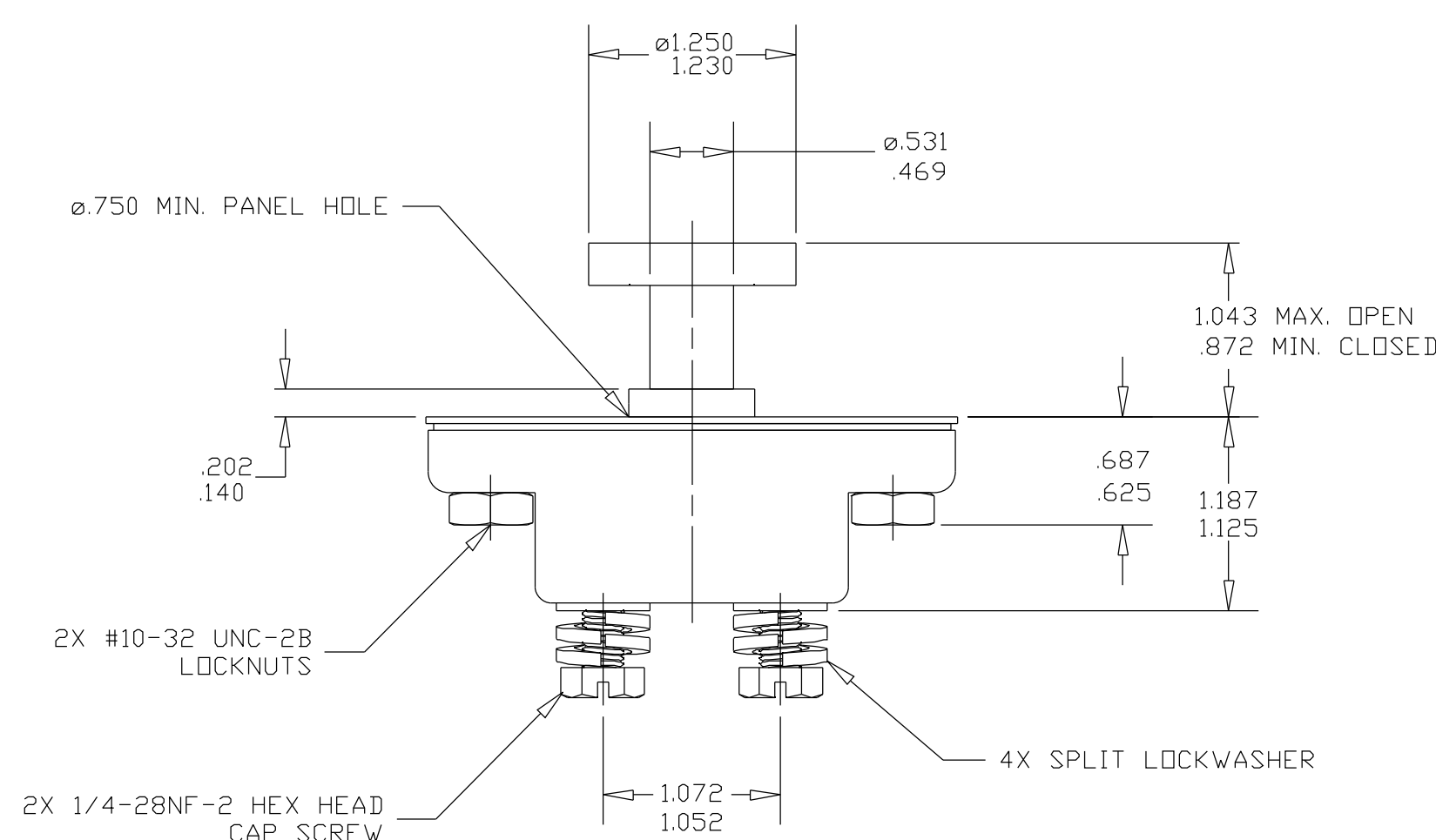


ZONE	REV.	REVISION DESCRIPTION	ECN NO.	DATE
	G	REMOVED 6766-19-35 AND 6766-19-45 TO TABLE; ADDED 6766-19-135 6766-19-150 TO TABLE; JG	ECO-136261	17-AUG-2016

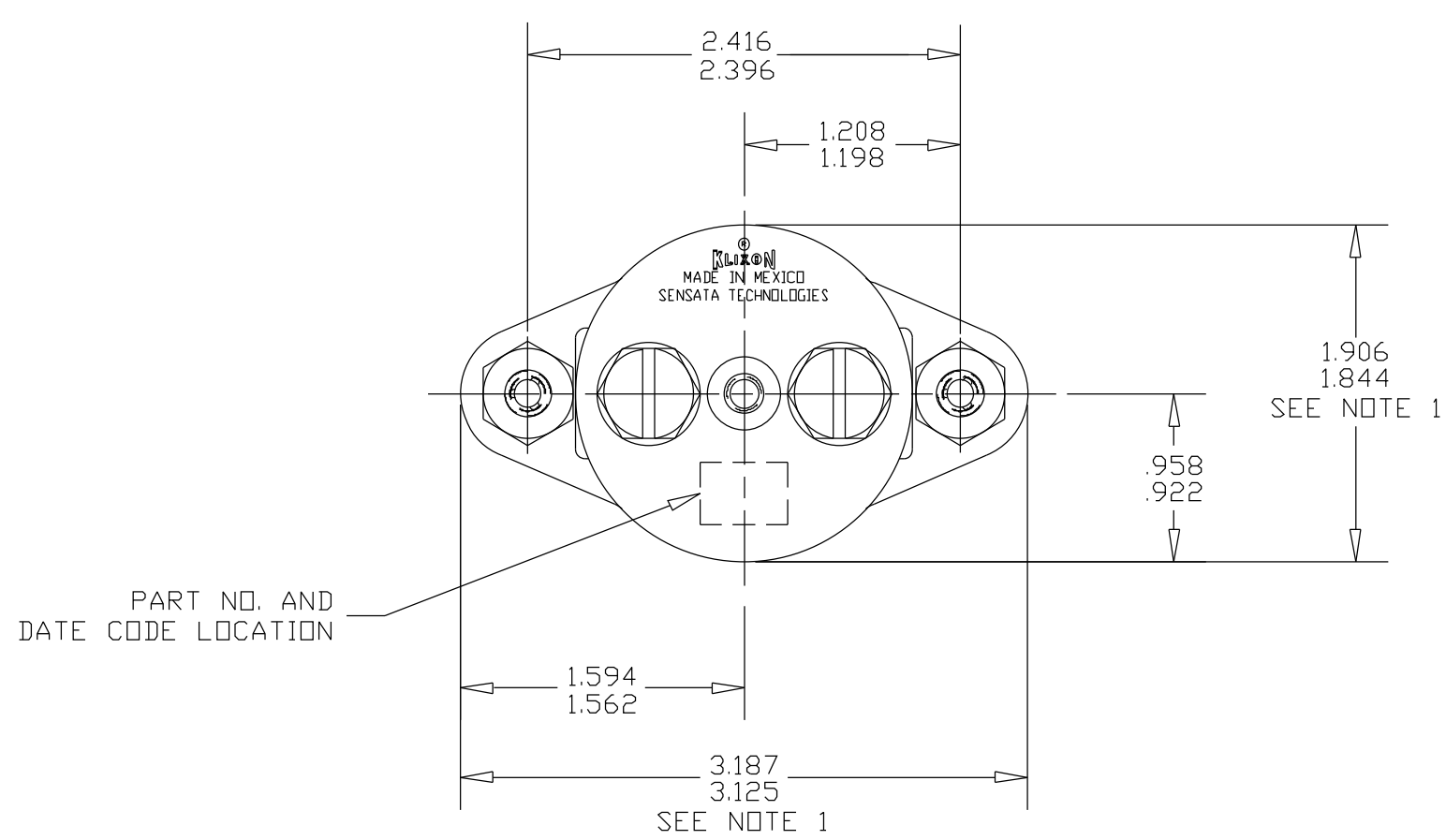


	PERFORMANCE CHARACTERISTICS
VOLTAGE RATING	30VDC
200% OVERLOAD 35-150 AMPS	8-100 SECONDS
ULTIMATE TRIP % AT 77° F RATED CURRENT	
MINIMUM	100%
MAXIMUM	135%
INTERRUPT CAPACITY ENDURANCE	SAE J1625 AND ABYC-E11 100 CYCLES AT 600% RATED CURRENT
DIELECTRIC STRENGTH	1500 VAC MINIMUM MIL-STD-202 METHOD 301
INSULATION RESISTANCE	100 MOHMS MINIMUM MIL-STD-202 METHOD 302 CONDITION B
VIBRATION RESISTANCE	10G MIL-STD-202 METHOD 204 CONDITION A
MECHANICAL SHOCK RESISTANCE	100G MIL-STD-202 METHOD 213 CONDITION C
IGNITION PROTECTED	SAE J1171
WEATHERPROOF	SAE J1625
WEIGHT	141 GRAMS MAX.



NOTE:
1. DIMENSIONS DO NOT INCLUDE GASKET AND COVER.

6766-19-150	150
6766-19-135	135
6766-19-120	120
6766-19-105	105
6766-19-100	100
6766-19-90	90
6766-19-80	80
6766-19-70	70
6766-19-60	60
6766-19-50	50
6766-19-40	40
PART NO.	AMP RATING



PART NO. AND
DATE CODE LOCATION

FOR REFERENCE ONLY, CHECK LATEST REVISION BEFORE USE. PARTS MADE TO THIS PRINT MUST CONFORM TO E9898 REV. E		529 PLEASANT STREET P.O. BOX 2964 ATTLEBORO, MA 02703	
DRAWN R.G.MANZI DATE 05-JUN-1972 ENGINEER R.L.FOLEY DATE 06-JUN-1972 APPROVED	SENSATA TECHNOLOGIES PROPRIETARY AND CONFIDENTIAL. NEITHER THIS PRINT NOR THE INFORMATION CONTAINED HEREON IS TO BE USED AGAINST THE INTERESTS OF SENSATA TECHNOLOGIES OR AGAINST THE INTERESTS OF ANY OF ITS AFFILIATED COMPANIES OR WHOLLY OWNED SUBSIDIARIES.	TITLE 6766-19 PUSH PULL CIRCUIT BREAKER	
DATE APPROVED DATE	INTERPRET DIMENSIONING AND TOLERANCING PER ASME Y14.5-2009. UNLESS OTHERWISE SPECIFIED DIMENSIONS ARE IN INCHES. TOLERANCES DECIMALS ANGLES	SIZE C	DWG NO. 6766-19 SCALE 1:1 AUTOCAD
DO NOT SCALE DRAWING	THIRD ANGLE PROJECTION	REV. G	SHEET 1 OF 1