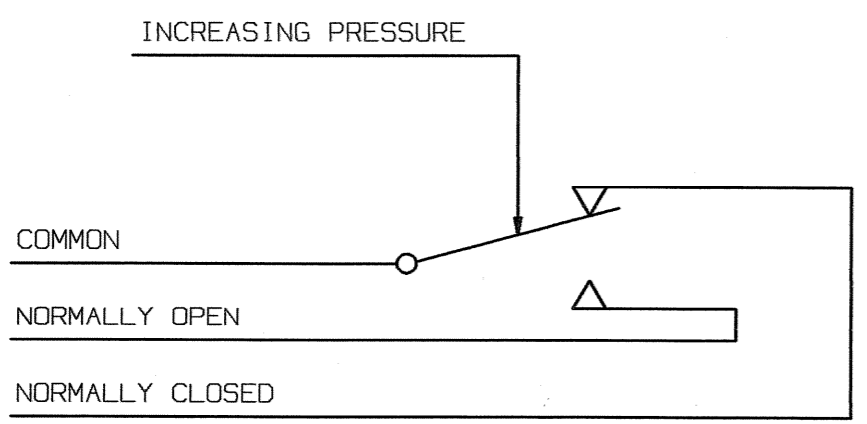
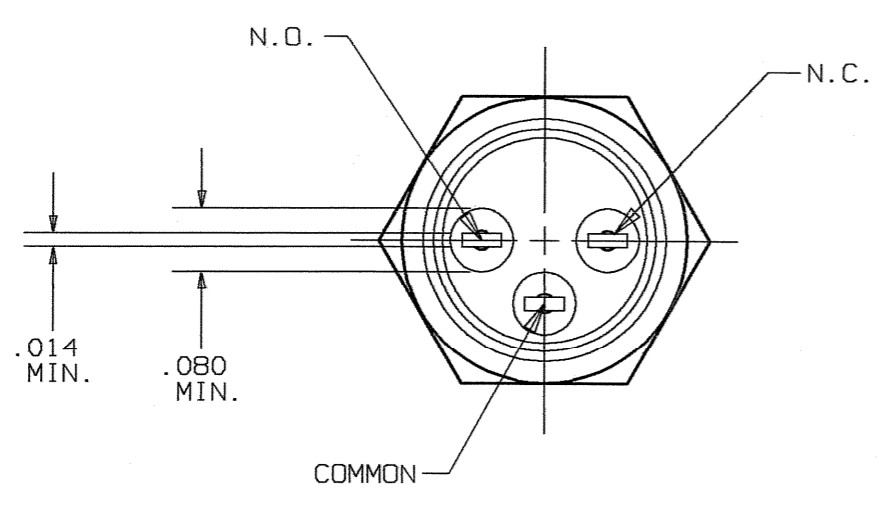
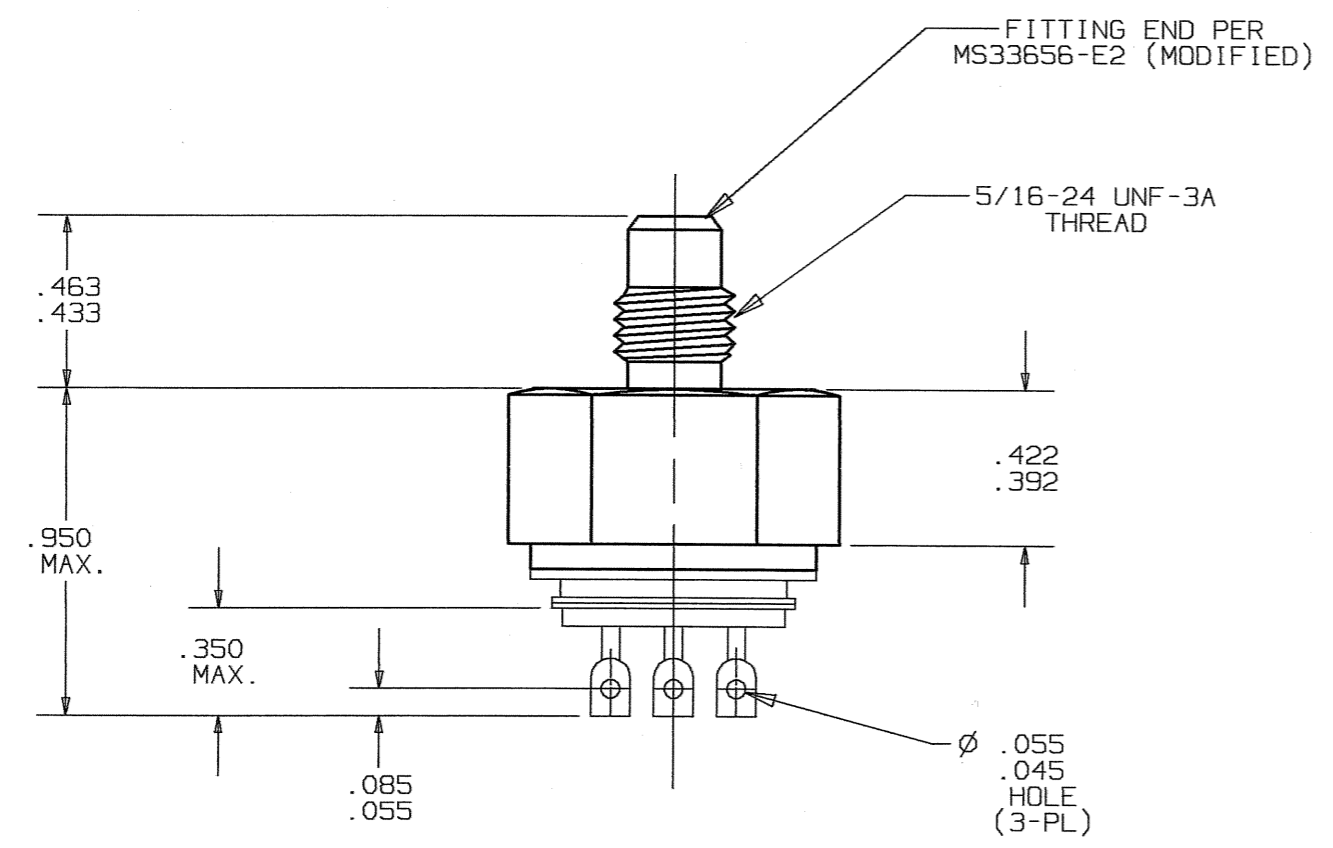
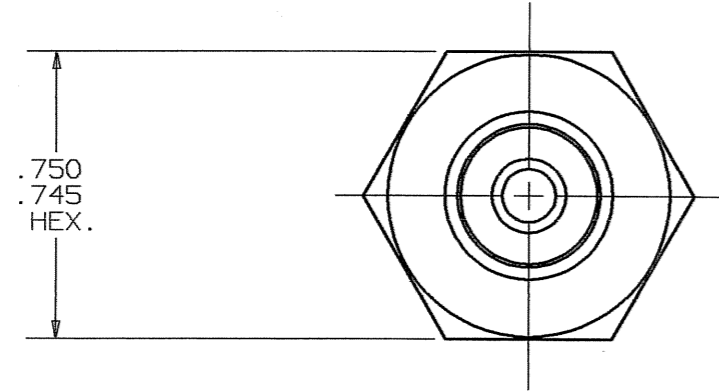


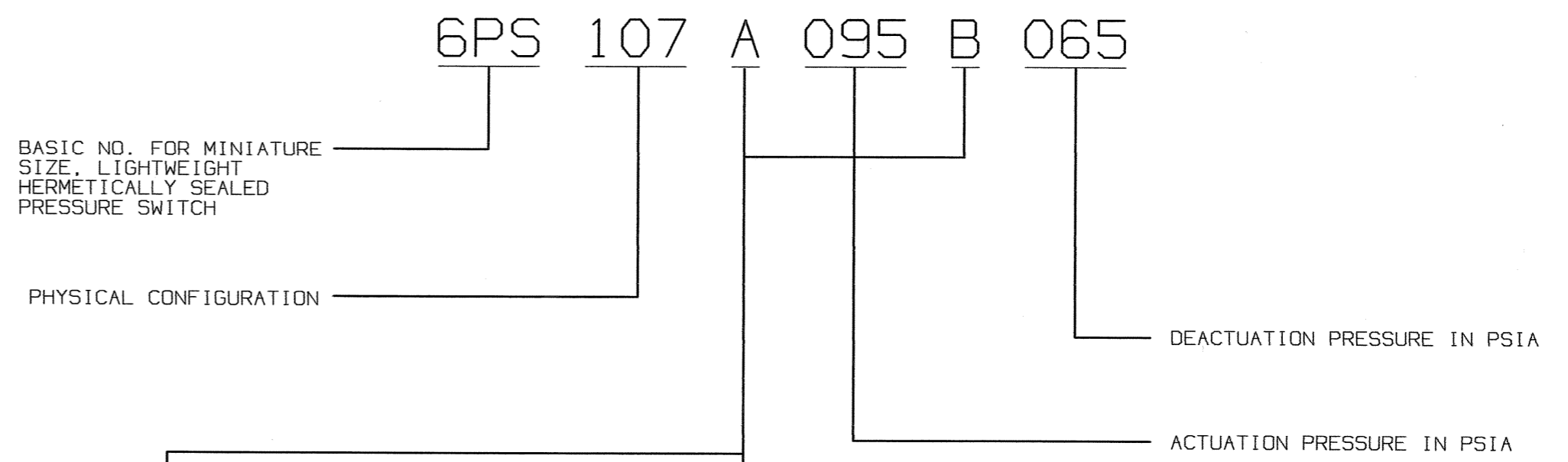
Property of
Sensata Technologies

REVISIONS				
ZONE	LTR	GPS	DESCRIPTION	APPROVED
	A	1ST ISSUE	PROJ. 1094 ECN#M38677 MF	DATE 02/03/98 R.P.R.



CHARACTERISTICS

- RANGE OF ACTUATION PRESSURE SETTINGS AT S.T.P. ----- FROM 45 PSIA TO 600 PSIA
- RANGE OF RELEASE PRESSURE SETTINGS
STANDARD ----- 60% TO 85% OF ACTUATION PRESSURE
SPECIAL ----- 86% TO 90% OF ACTUATION PRESSURE
- RANGE OF TOLERANCES ON ACTUATION & RELEASE PRESSURE -----
STANDARD ----- TO ±6% (±10 PSI MIN.)
SPECIAL ----- TO ±4% (±5 PSI MIN.)
- RANGE OF PROOF PRESSURE ----- 8X ACTUATING PRESSURE (1000 PSI MIN.)
- RANGE OF BURST PRESSURE ----- 8,000 PSI
- RANGE OF TEMPERATURE RATINGS ----- -65°F. TO +275°F.
- LIFE AT RATED CURRENT ----- 50,000 CYCLES
- CURRENT CAPACITY -----
RESISTIVE ----- 5 AMP AT 28 VDC
INDUCTIVE ----- 2 AMP AT 28 VDC
LAMP ----- 1 AMP AT 28 VDC
- VIBRATION RESISTANCE ----- 25 G, 20 - 2000 CPS (NO CONTACT CHATTER IN EXCESS OF 10 MICROSECONDS)
- SHOCK RESISTANCE ----- OPERATING ----- 50 G (NO CONTACT CHATTER IN EXCESS OF 10 MICROSECONDS)
- DIELECTRIC STRENGTH ----- NON-OPERATING ----- 200 G (NO DAMAGE)
TERMINAL TO TERMINAL ----- 1000 VRMS
TERMINAL TO CASE ----- 1250 VRMS



CODE	TOLERANCE	CODE	TOLERANCE
A	±5 PSI	N	±17 PSI
B	±6 PSI	P	±18 PSI
C	±7 PSI	R	±19 PSI
D	±8 PSI	S	±20 PSI
E	±9 PSI	T	±25 PSI
F	±10 PSI	U	±30 PSI
G	±11 PSI	V	±35 PSI
H	±12 PSI	W	±40 PSI
J	±13 PSI	X	±50 PSI
K	±14 PSI	Y	MAX. PSI
L	±15 PSI	Z	MIN. PSI
M	±16 PSI		

THIS IS A CAD DRAWING. THE GEOMETRY IN THE ASSOCIATED CAD COMPUTER FILE IS DIMENSIONALLY ACCURATE. WHEN DRAWING IS BEING REVISED, THE GEOMETRY MUST BE UPDATED IN ALL VIEWS AND ON ALL SHEETS.

UNLESS OTHERWISE SPECIFIED DIMENSIONS ARE IN INCHES	DRAWN MARK FONTES	DATE 02/03/98	013 P18 P3-2
TOLERANCE ON FRACTIONS DECIMALS ANGLES	ENGINEER J.A. FOURNIER	02/03/98	TEXAS INSTRUMENTS ATLLEBORO, MASSACHUSETTS 02703 KLIXON CONTROL PRODUCTS DIVISION
	APPROVED D.R. PETRIE	02/03/98	
	APPROVED R.P. RUGGIERI	02/03/98	
MATERIAL	SIGNATURES ON FILE. REFER TO ELECTRONIC CHANGE NOTICE.		TITLE 6PS 107 PRESSURE SWITCH ENVELOPE DRAWING SIZE CODE IDENT NO. C 82647 6PS 107