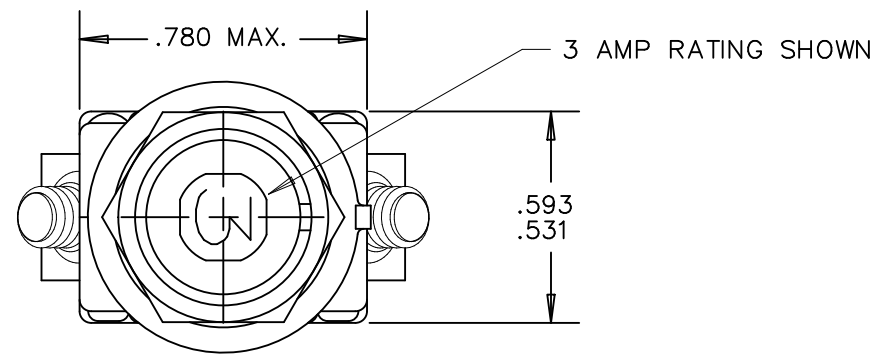


Property of
Sensata Technologies

ZONE	REV.	REVISION DESCRIPTION	ECN NO.	DATE
C1	AK	"120 VAC --- 400 HZ INDUCTIVE --- 2500 CYCLES" WAS "120 VAC --- 400 HZ RESISTIVE --- 5000 CYCLES"; DT	ECO-132567	08-JUN-2016



PERFORMANCE CHARACTERISTICS (DETAIL PERFORMANCE PER MIL-C-5809)

OVERLOAD CYCLING ----- 100 CYCLES AT 200% RATING
 SINUSOIDAL VIBRATION ----- 10 G'S MINIMUM 50-500 HZ
 MECHANICAL SHOCK ----- 50 G'S AT 11.0 MILLISECOND DURATION
 ACCELERATION ----- 10 G'S MINIMUM
 SAND AND DUST ----- 12 HOURS
 CORROSION ----- SALT SPRAY 48 HOURS
 HUMIDITY ----- 10 DAYS
 EXPLOSION PROOF ----- WHILE INTERRUPTING RUPTURE CURRENTS

MAXIMUM OPERATING ALTITUDE: 80,000 FT. (24,384 M)

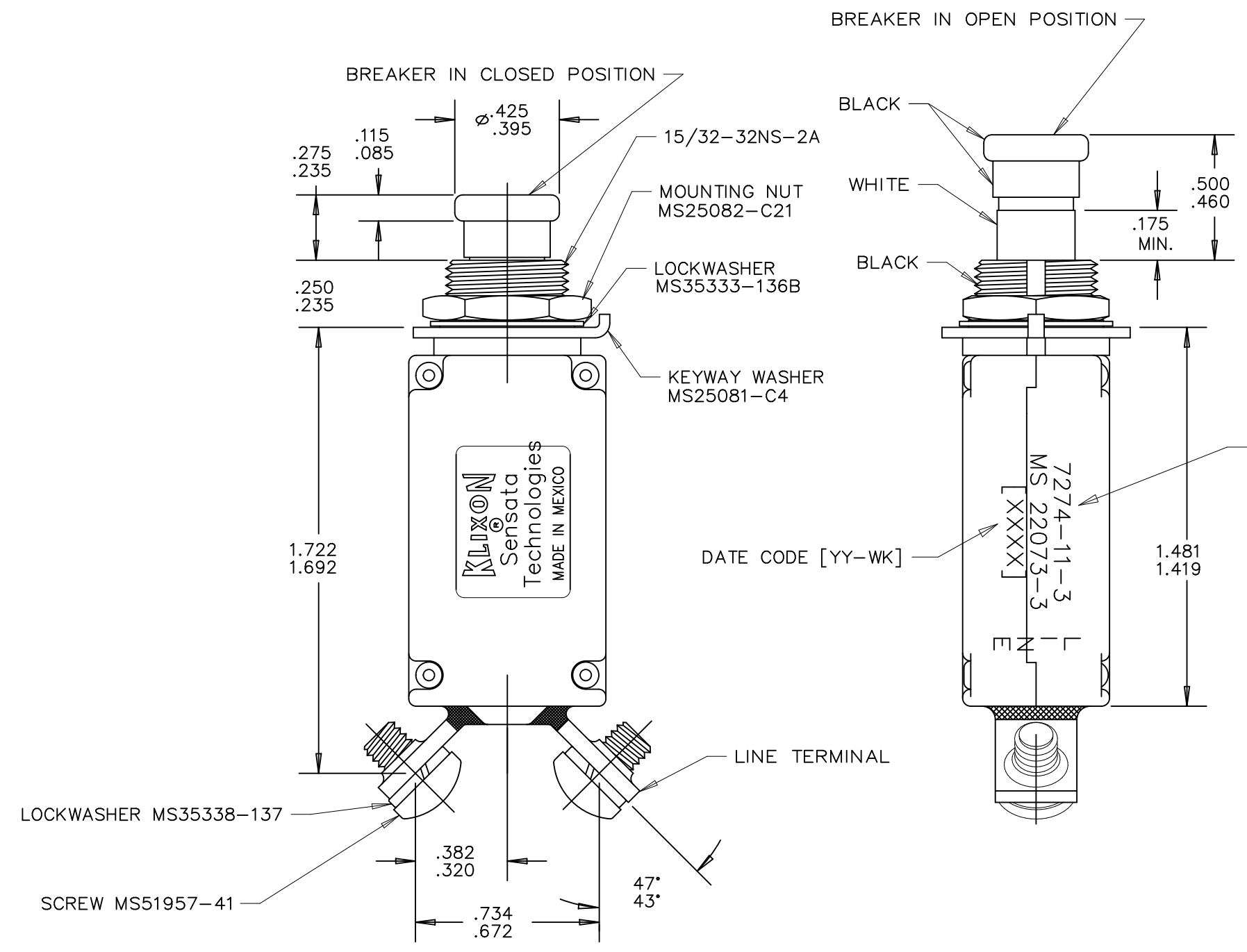
WEIGHT: 33.0 GRAMS MAX.

MAXIMUM OPERATING FORCES:
 PULL OUT ----- 5 LBS. MAX. (22.2 N)
 RESET ----- 5 LBS. MAX. (22.2 N)

ENDURANCE:
 120 VAC ----- 400 HZ INDUCTIVE ----- 2500 CYCLES
 120 VAC ----- 400 HZ RESISTIVE ----- 5000 CYCLES
 30 VDC ----- INDUCTIVE ----- 2500 CYCLES
 30 VDC ----- RESISTIVE ----- 5000 CYCLES
 NO LOAD ----- MECHANICAL ----- 5000 CYCLES

CALIBRATION:

AMBIENT TEMP.	HOLD	TRIP	200%	500%	1000%
+25°C (+77°F)	115% RATING	150% RATING	2-20 SEC.	.16-2 SEC.	.046-.8 SEC.
-55°C (-67°F)	135% RATING	180% RATING	-----	-----	-----
+71°C (+160°F)	90% RATING	130% RATING	-----	-----	-----



PART NO.	MS PART NO.	AMP RATING	MAXIMUM VOLTAGE DROP	CURRENT INTERRUPTING CAPACITY	
				120 VAC, 400 HZ	28 VDC
7274-11-1/2	MS 22073-1/2	1/2	2.00	UNLIMITED	UNLIMITED
7274-11-3/4	MS 22073-3/4	3/4	1.45	UNLIMITED	UNLIMITED
7274-11-1	MS 22073-1	1	1.10	UNLIMITED	UNLIMITED
7274-11-1 1/2	MS 22073-1-1/2	1 1/2	0.75	UNLIMITED	UNLIMITED
7274-11-2	MS 22073-2	2	0.75	800 AMPS	UNLIMITED
7274-11-2 1/2	MS 22073-2-1/2	2 1/2	0.70	800 AMPS	UNLIMITED
7274-11-3	MS 22073-3	3	0.55	800 AMPS	UNLIMITED
7274-11-4	MS 22073-4	4	0.45	800 AMPS	UNLIMITED
7274-11-5	MS 22073-5	5	0.35	800 AMPS	UNLIMITED
7274-11-7 1/2	MS 22073-7-1/2	7 1/2	0.30	500 AMPS	2000 AMPS
7274-11-10	MS 22073-10	10	0.28	500 AMPS	2000 AMPS
7274-11-15		15	0.25	500 AMPS	800 AMPS
7274-11-20		20	0.25	500 AMPS	800 AMPS
7274-11-25		25	0.25	500 AMPS	800 AMPS

- NOTES:
- ALL MOUNTING HARDWARE HAS A DULL BLACK FINISH.
 - CIRCUIT BREAKERS ARE SUITABLE FOR MOUNTING IN A 1/8" THICK PANEL OR LESS.
 - EPOXY SURFACES ARE NON-DIMENSIONED, ENVELOPE DIMENSIONS DO NOT APPLY TO THESE PROJECTED EPOXY SURFACES.
 - 1/2 THRU 10 AMP CIRCUIT BREAKERS ARE QUALIFIED TO MS 22073.
 - DATE CODE PER 10588-285.

FOR REFERENCE ONLY, CHECK LATEST REVISION BEFORE USE. PARTS MADE TO THIS PRINT MUST CONFORM TO E9898 REV. E		529 PLEASANT STREET P.O. BOX 2964 ATTLEBORO, MA 02703	
DRAWN TOM DAIL DATE 30-MAY-1990 ENGINEER K.B. GASSER DATE 26-JUN-1992 APPROVED D.R. PETRIE DATE 22-DEC-1994 APPROVED DATE	SENSATA TECHNOLOGIES PROPRIETARY AND CONFIDENTIAL. NEITHER THIS PRINT NOR THE INFORMATION CONTAINED HEREON IS TO BE USED AGAINST THE INTERESTS OF SENSATA TECHNOLOGIES OR AGAINST THE INTERESTS OF ANY OF ITS AFFILIATED COMPANIES OR WHOLLY OWNED SUBSIDIARIES. INTERPRET DIMENSIONING AND TOLERANCING PER ASME Y14.5-2009, UNLESS OTHERWISE SPECIFIED DIMENSIONS ARE IN INCHES. TOLERANCES DECIMALS ANGLES	TITLE 7274-11 STYLE CIRCUIT BREAKER PUSH-PULL, TRIP FREE ENVELOPE DRAWING	
DO NOT SCALE DRAWING		THIRD ANGLE PROJECTION	SIZE DWG NO. C 7274-11
SCALE 1:1		AUTOCAD	REV. AK SHEET 1 OF 1

DEVICE: PROJECT: 3457 1