



| EXTREME TEMPERATURE SERIES (M24236/2)

Extreme Temperature Protection Probe-Type Thermal Switches



Introduction

Klixon® 11041 (M1) extreme temperature probes are designed to provide reliable, consistent performance over a long cycle life in the harshest environments. These probes provide excellent shock and vibration resistance and have a wide operating temperature range of -65°F to +550°F. These characteristics enable protection or indication of extreme high or low temperatures in systems like aircraft hydraulic systems, aircraft refrigeration systems, constant speed drives, food processing equipment, and hydraulic systems for military equipment.

Features

- Hermetically Sealed (probe only)
- Snap-action switching
- Pre-set, non-adjustable calibration
- High resistance to shock and vibration
- Qualified to MIL-PRF-24236/2



PERFORMANCE CHARACTERISTICS

The standard 11041 (M1) utilizes silver contacts. Gold plated contacts can be furnished to assure reliable circuit switching under low wattage conditions. (See table below.)

Contact Ratings (Resistive)

Based on standard differential

30 VAC/DC	125 VAC	250 VAC	Life Cycles
5.0 Amperes	2.0 Amperes	1.0 Amperes	100,000
5.5 Amperes	3.0 Amperes	1.5 Amperes	50,000
6.0 Amperes	4.0 Amperes	2.0 Amperes	25,000
6.5 Amperes	5.0 Amperes	2.5 Amperes	10,000
7.0 Amperes	6.0 Amperes	3.0 Amperes	5,000

Gold Contact Ratings (Resistive)

Gold-plated contacts are not suitable for higher loads.

30 VAC/DC	500 mA and below
115 VAC	200 mA and below
230 VAC	100 mA and below

Characteristics

Contact Resistance	0.100 ohms per MIL-STD-202, Method 307 <i>Contact resistance shown is for the 11041 (M1) thermostat and does not include resistance of wire leads or connector.</i>
Dielectric Strength	1250 VAC, rms, 60 cycles for 1 minute, terminal to case 1000 VAC, 60 cycles for 1 minute, terminal to terminal with contacts open per MIL-STD-202, Method 301
Salt Spray Resistance	Per MIL-STD-202, Method 101, Condition B, 5% Solution
Ambient Temperature Range	-80°F to 550°F, (-62.2°C to 287.8°C) Maximum ambient exposure while in the closed position is 200°F above contact closing temperature.
Operating Temperature Range	-65°F to 550°F, (-53.9°C to 287.8°C)

Operating Temperature		Differential		Tolerance	
°F	°C	°F	°C	±°F	±°C
-65 to -1	-53.9 to -18.4	30	16.7	12	6.7
0 to 200	-17.8 to 93.3	20	11.1	7	3.9
201 to 300	93.9 to 148.9	30	16.7	10	5.6
301 to 450	149.5 to 223.2	40	22.2	14	7.8
451 to 550	223.8 to 287.8	70	38.9	30	16.7

* Tolerances based on precision factory calibration and test equipment. Customers checking tolerances should allow for differences in test equipment of ±1°F. Temperature settings outside the ranges indicated or to closer tolerances will be considered on special request.

CONFIGURATIONS

Standard 11041 (M1) probe packages are comprised of the following physical features, but many other variants are available. The standard material is stainless steel, but nickel plated brass versions are available.

PLEASE NOTE: The orientation of the connector with respect to the package body is not controlled.

Configuration Options

Custom configurations are available

Probe Body Thread Sizes	Standard lengths are available in ½" increments from 1.5" to 6".
Termination	Standard connector is a Sealtron B8002G-10SL-4P-F (or equivalent)
	Standard wire leads are AWG #18 stranded wire with white or black Teflon* insulation (per MIL-W-22759) (Teflon is a trademark of E. I. Dupont de Namers and Co.)
Other	Other styles are available, as well as custom designs

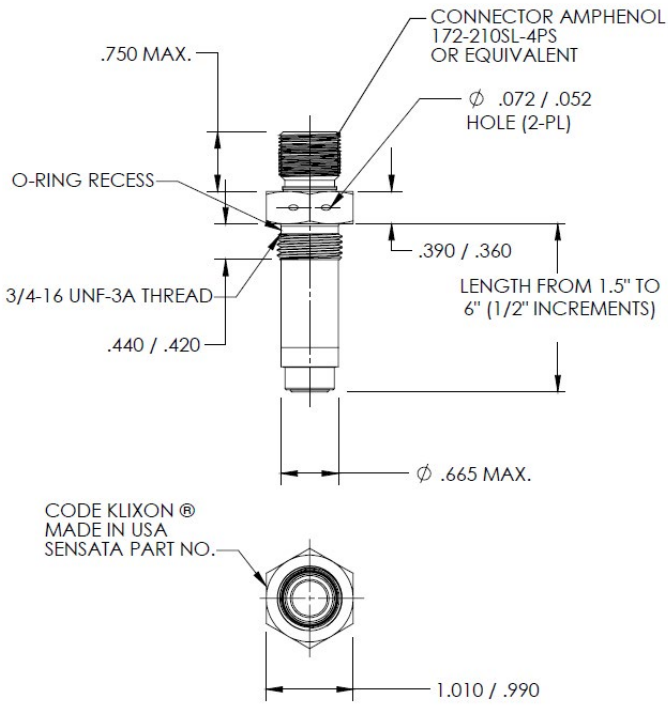
Standard Part Numbers and Configurations

Many other styles are available, including SPDT.

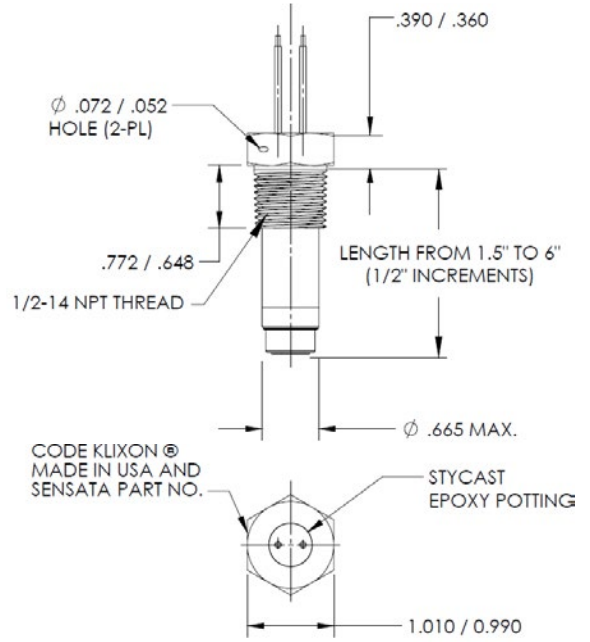
21542	¾" - 16 thread/connector
21543	½" pipe thread/leads
21548	¾" - 16 thread/leads

21549	½" pipe thread/connector
28303 (4344 thermostat)	½-14 PTF (SAE Short) Thread/brass body
28509 (4344 thermostat)	M30 x 3.5 thread / spring loaded body

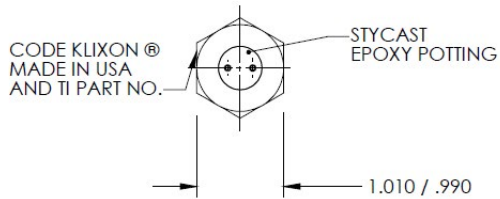
21542



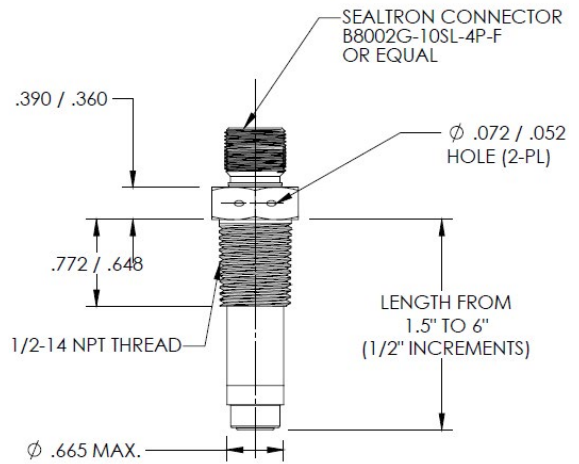
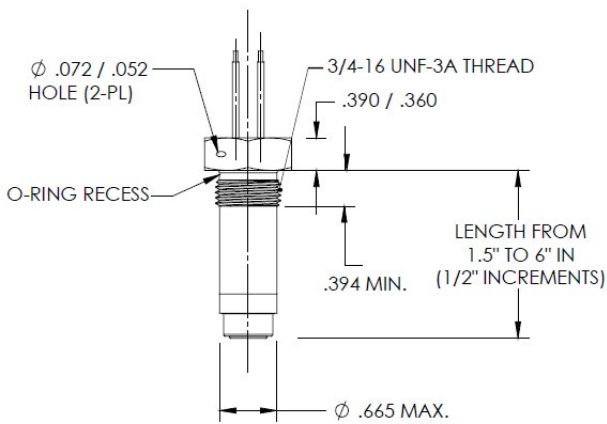
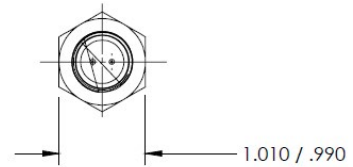
21543



21548



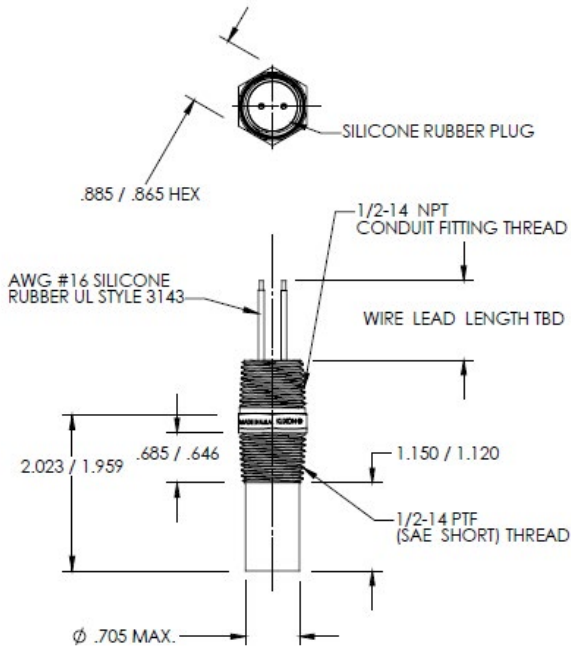
21549



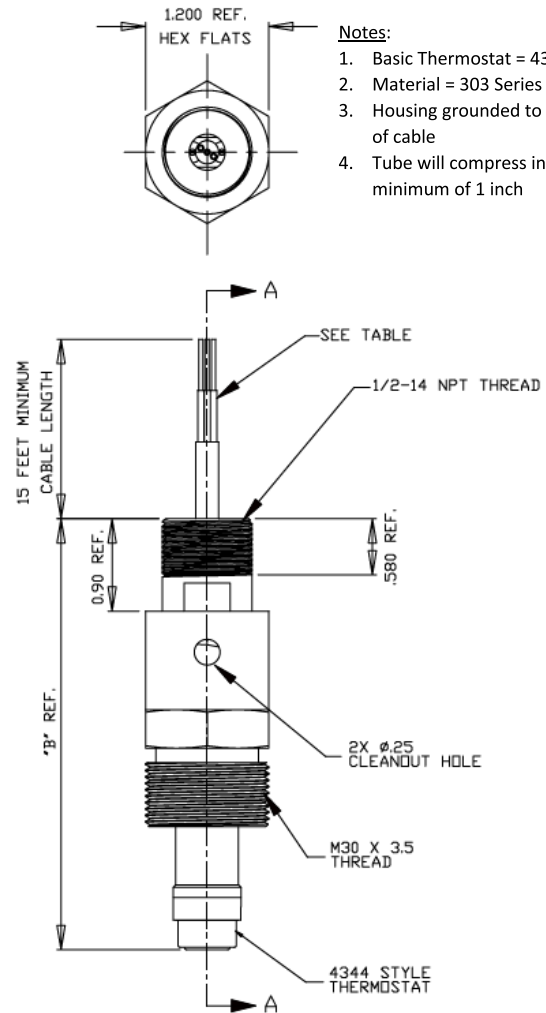


DIMENSIONS (CONTINUED)

28303



28509



Notes:

1. Basic Thermostat = 4344 Series
2. Material = 303 Series Stainless
3. Housing grounded to ground lead of cable
4. Tube will compress into body a minimum of 1 inch



ORDERING OPTIONS

Example : 21549-06-XXX-03

	21549	-	06	-	XXX	-	03
Basic Package	_____						
21542 (or 21544, 21548, 21549) Basic package describes general physical appearance and basic thermostat incorporated into device							
Probe Length	_____						
Probe length times 2 (probe length is the length in inches from bottom of the hex to bottom of the device)							
Operating Characteristics	_____						
Assigned consecutively (Sensata will assign this number at the time your order is taken)							
Wire Leads	_____						
For wire leads, this is the length of wire in 6 inch increments (for 6" it would be 1, for 12" it would be 2, for 18" it would be 3, etc.). For connectors, contact Sensata Technologies for this code.							

UL/Canadian-UL Ratings

For 28303 series only: UL and Canadian-UL (File #E34618)

	Max. Voltage	Max. Current (Non-inductive)	Max. Temp.	Cycles	Notes
UL	120 VAC	2.5 A	450°F	100,000	Break but not make, ungrounded cup
UL	110-300 VAC	720 VA	392°F	10,000	Make and break, ungrounded cup
UL	300 VAC	360 VA	392°F	10,000	Make and break, grounded or ungrounded cup
UL	24-240 VAC	120 VA	393°F	10,000	Make and break, grounded or ungrounded cup
UL-C	120 VAC	2.5 A	450°F	100,000	



WARNINGS



RISK OF MATERIAL DAMAGE AND HOT ENCLOSURE

- The product's side panels may be hot, allow the product to cool before touching
- Follow proper mounting instructions including torque values
- Do not allow liquids or foreign objects to enter this product

Failure to follow these instructions can result in serious injury, or equipment damage.



HAZARD OF ELECTRIC SHOCK, EXPLOSION OR ARC FLASH

- Disconnect all power before installing or working with this equipment
- Verify all connections and replace all covers before turning on power

Failure to follow these instructions will result in death or serious injury.

Sensata Technologies, Inc. ("Sensata") data sheets are solely intended to assist designers ("Buyers") who are developing systems that incorporate Sensata products (also referred to herein as "components"). Buyer understands and agrees that Buyer remains responsible for using its independent analysis, evaluation and judgment in designing Buyer's systems and products. Sensata data sheets have been created using standard laboratory conditions and engineering practices. Sensata has not conducted any testing other than that specifically described in the published documentation for a particular data sheet. Sensata may make corrections, enhancements, improvements and other changes to its data sheets or components without notice.

Buyers are authorized to use Sensata data sheets with the Sensata component(s) identified in each particular data sheet. HOWEVER, NO OTHER LICENSE, EXPRESS OR IMPLIED, BY ESTOPPEL OR OTHERWISE TO ANY OTHER SENSATA INTELLECTUAL PROPERTY RIGHT, AND NO LICENSE TO ANY THIRD PARTY TECHNOLOGY OR INTELLECTUAL PROPERTY RIGHT, IS GRANTED HEREIN. SENSATA DATA SHEETS ARE PROVIDED "AS IS". SENSATA MAKES NO WARRANTIES OR REPRESENTATIONS WITH REGARD TO THE DATA SHEETS OR USE OF THE DATA SHEETS, EXPRESS, IMPLIED OR STATUTORY, INCLUDING ACCURACY OR COMPLETENESS. SENSATA DISCLAIMS ANY WARRANTY OF TITLE AND ANY IMPLIED WARRANTIES OF MERCHANTABILITY, FITNESS FOR A PARTICULAR PURPOSE, QUIET ENJOYMENT, QUIET POSSESSION, AND NON-INFRINGEMENT OF ANY THIRD PARTY INTELLECTUAL PROPERTY RIGHTS WITH REGARD TO SENSATA DATA SHEETS OR USE THEREOF.

All products are sold subject to Sensata's terms and conditions of sale supplied at www.sensata.com SENSATA ASSUMES NO LIABILITY FOR APPLICATIONS ASSISTANCE OR THE DESIGN OF BUYERS' PRODUCTS. BUYER ACKNOWLEDGES AND AGREES THAT IT IS SOLELY RESPONSIBLE FOR COMPLIANCE WITH ALL LEGAL, REGULATORY AND SAFETY-RELATED REQUIREMENTS CONCERNING ITS PRODUCTS, AND ANY USE OF SENSATA COMPONENTS IN ITS APPLICATIONS, NOTWITHSTANDING ANY APPLICATIONS-RELATED INFORMATION OR SUPPORT THAT MAY BE PROVIDED BY SENSATA.

Mailing Address: Sensata Technologies, Inc., 529 Pleasant Street, Attleboro, MA 02703, USA.

CONTACT US

Americas

+1 (508)-236-3287
klixon@sensata.com

AUTHORIZED DISTRIBUTORS

Flame Enterprises
Bob Correa, Director of Product Management
+1 (240) 236-9802
bcorrea@flamecorp.com
info@flamecorp.com | Web
Tel: 1-800-854-2255 or 1-818-700-2905
Fax: 1-818-407-5080

Peerless Electronics
Steve Gunther, National Sales Manager

+1 (516) 594-3509
sgunther@peerlesselectronics.com
nysales@peerlesselectronics.com | Web
Tel: 1-800-285-2121
Fax: 1-800-222-8096

Europe, Middle East & Africa

Flame Enterprises
Bob Correa, Director of Product Management
+1 (240) 236-9802
bcorrea@flamecorp.com
info@flamecorp.com | Web
Tel: 1-800-854-2255 or 1-818-700-2905
Fax: 1-818-407-5080