

4

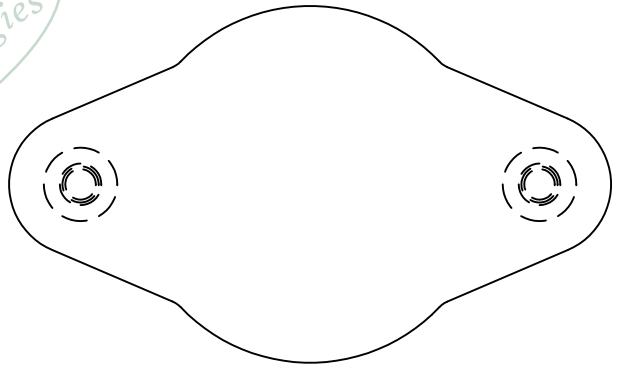
3

2

1

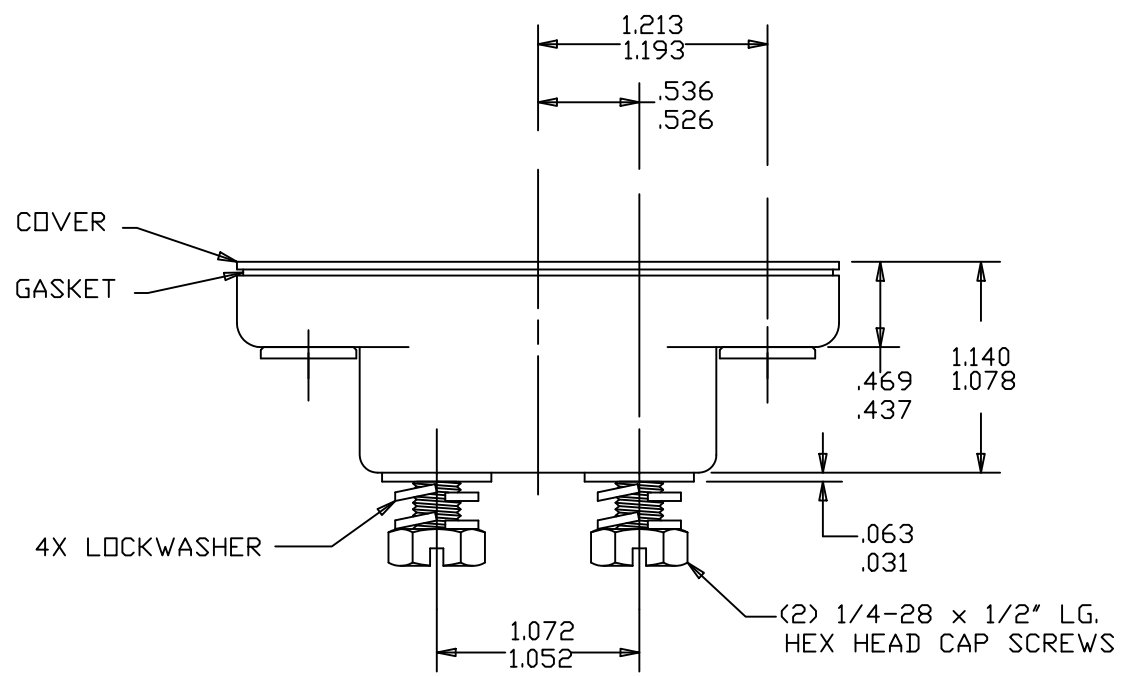
ZONE	REV.	REVISION DESCRIPTION	ECN NO.	DATE
B1	F	ADD PART NUMBER: "PDLA-100", CURRENT RATING: "100" AND BLANK THE CID NUMBER COLUMN TO THE DRAWING TABLE : RW	ECN0053397	23-JUL-2009

Property of
Sensata Technologies



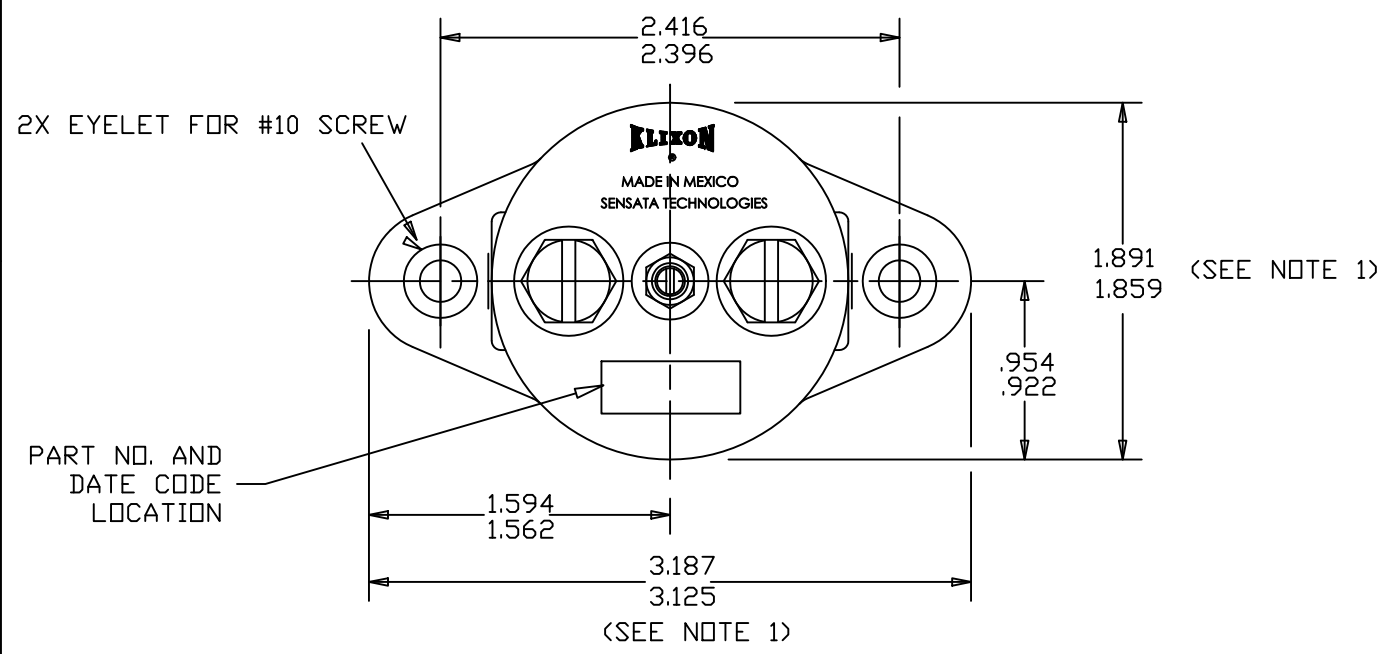
PERFORMANCE CHARACTERISTICS

VOLTAGE RATING	30VDC
200% OVERLOAD 35-150 AMPS	8-100 SECONDS
ULTIMATE TRIP % AT 77°F RATED CURRENT MINIMUM	100%
MAXIMUM	138%
INTERRUPT CAPACITY ENDURANCE	900 AMPS TESTED PER SAE J1625 2000 CYCLES AT 200% RATED CURRENT
DIELECTRIC STRENGTH	1500 VAC MINIMUM MIL-STD-202 METHOD 301
INSULATION RESISTANCE	100 MOHMS MINIMUM MIL-STD-202 METHOD 302 CONDITION B
VIBRATION RESISTANCE	10G MIL-STD-202 METHOD 204 CONDITION A
MECHANICAL SHOCK RESISTANCE	100G MIL-STD-202 METHOD 213 CONDITION C
IGNITION PROTECTED	SAE J1171
WEATHERPROOF	SAE J1625
WEIGHT	116 GRAMS MAX.
CID NUMBER	A-A-55571/7



PDLA-150	150	012
PDLA-135	135	011
PDLA-120	120	010
PDLA-105	105	009
PDLA-100	100	
PDLA-90	90	008
PDLA-80	80	007
PDLA-70	70	006
PDLA-60	60	005
PDLA-50	50	004
PDLA-45	45	003
PDLA-40	40	002
PDLA-35	35	001
PART NO.	AMP RATING	CID NUMBER A-A-55571/07-

NOTES:
1) DIMENSIONS DO NOT INCLUDE THE GASKET AND COVER.



FOR REFERENCE ONLY, CHECK LATEST REVISION BEFORE USE. PARTS MADE TO THIS PRINT MUST CONFORM TO E9898 REV. E		529 PLEASANT STREET P.O. BOX 2964 ATTLEBORO, MA 02703	
DRAWN R.ANDERSON DATE 28-JUN-2000 ENGINEER S.J.BRYANT DATE 28-JUN-2000 APPROVED C.PELLON DATE 28-JUN-2000 APPROVED P.A.FOLEY DATE 28-JUN-2000	SENSATA TECHNOLOGIES PROPRIETARY AND CONFIDENTIAL. NEITHER THIS PRINT NOR THE INFORMATION CONTAINED HEREON IS TO BE USED AGAINST THE INTERESTS OF SENSATA TECHNOLOGIES OR AGAINST THE INTERESTS OF ANY OF ITS AFFILIATED COMPANIES OR WHOLLY OWNED SUBSIDIARIES. UNLESS OTHERWISE SPECIFIED DIMENSIONS ARE IN INCHES TOLERANCES DECIMALS ANGLES	TITLE AUTOMATIC RESET CIRCUIT BREAKER	
DO NOT SCALE DRAWING THIRD ANGLE PROJECTION		SIZE B	DWG NO. PDLA-**
SCALE 1:1 AUTOCAD SHEET 1 OF 1		REV. F	PROJECT: 95

4

3

2

1

DEVICE: PDLA PROJECT: 95