

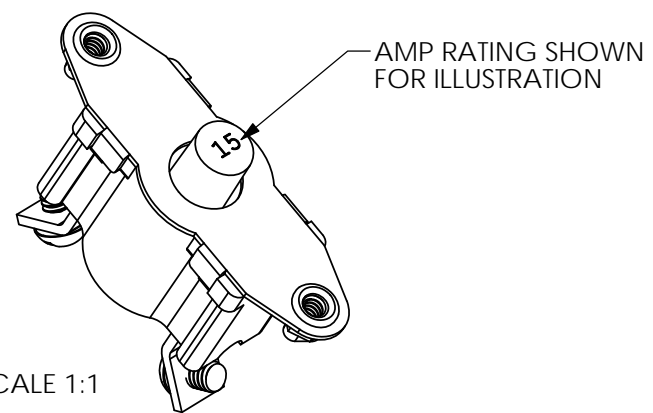
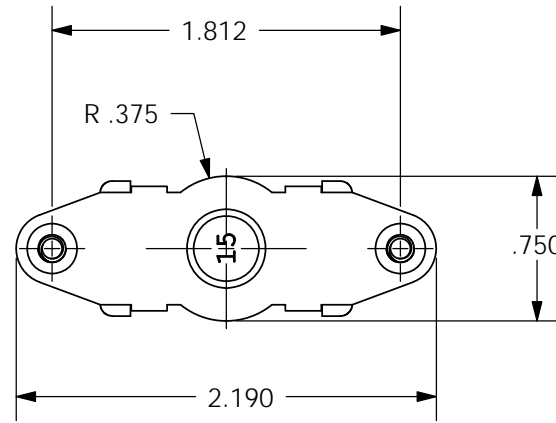
4

3

2

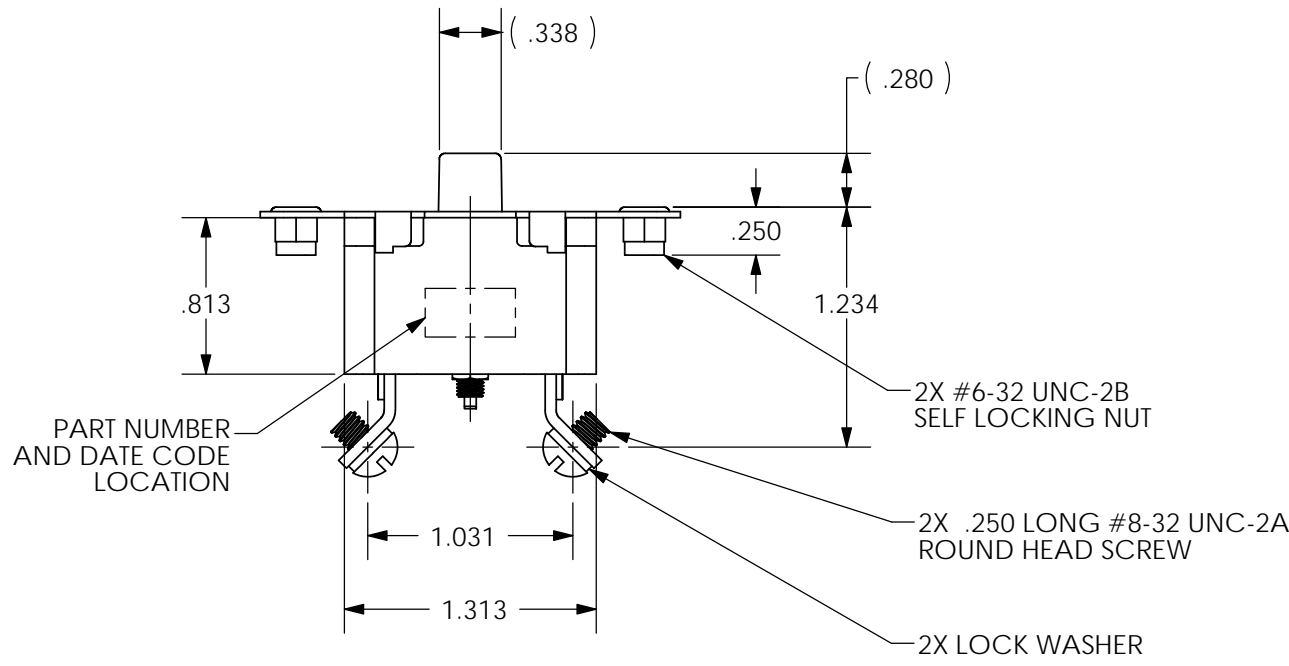
1

ZONE	REV.	REVISION DESCRIPTION	ECN NO.	DATE
	G	INTERRUPT CAPACITY WAS "60 AMPS, TESTED PER SAE J553": DP	ECO-254669	10-SEP-2018

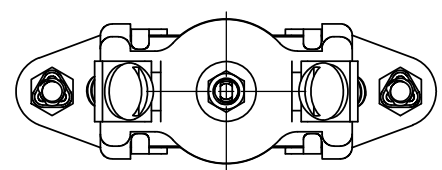


PSM
Performance Characteristics

Voltage Rating	30VDC
200% Overload	
2-10 amps	20 -150 seconds
12 1/2 -35 amps	8-50 seconds
Ultimate Trip % at 77° F rated current	
Minimum	100%
Maximum	138%
Interrupt Capacity	
12 1/2 -30 AMP	600 AMP, per SAE J553
35 AMP	900 AMP, per SAE J553
Endurance	500 cycles at 200%
Dielectric Strength	1500 VAC minimum - MIL-STD-202 Method 301
Insulation Resistance	100 MΩ minimum - MIL-STD-202 Method 302 Condition B
Vibration Resistance	10G MIL-STD-202 Method 204 Condition A
Mechanical Shock Resistance	100G MIL-STD-202 Method 213 Condition C
Weight:	32 grams max.
UL Listed	E 36869
CID number	A-A-55571/6



PSM-35	35	006
PSM-30	30	005
PSM-25	25	004
PSM-20	20	003
PSM-15	15	002
PSM-12 1/2	12 1/2	
PART NO.	AMP RATING	CID A-A55571/06-



FOR REFERENCE ONLY, CHECK LATEST REVISION BEFORE USE.
PARTS MADE TO THIS PRINT MUST CONFORM TO E9898 REV. E.

DRAWN C.FLEURANT DATE 04-MAY-1989	SENSATA TECHNOLOGIES PROPRIETARY AND CONFIDENTIAL. NEITHER THIS PRINT NOR THE INFORMATION CONTAINED HEREON IS TO BE USED AGAINST THE INTERESTS OF SENSATA TECHNOLOGIES OR AGAINST THE INTERESTS OF ANY OF ITS AFFILIATED COMPANIES OR WHOLLY OWNED SUBSIDIARIES. INTERPRET DIMENSIONING AND TOLERANCING PER ASME Y14.5-2009. UNLESS OTHERWISE SPECIFIED DIMENSIONS ARE IN INCHES. TOLERANCES DECIMALS ANGLES X.XXX ±0.031
ENGINEER R.L.FOLEY DATE 04-MAY-1989	
APPROVED R.L.FOLEY DATE 04-MAY-1989	
APPROVED	
DATE 04-MAY-1989	

DO NOT SCALE DRAWING THIRD ANGLE PROJECTION

529 PLEASANT STREET
P.O. BOX 2964
ATTLEBORO, MA 02703

TITLE
**MANUAL RESET
CIRCUIT BREAKER
HIGH AMP**

SIZE B	DWG NO. PSM-SH2	REV. G
SCALE 1:1	SOLIDWORKS	SHEET 1 OF 1

4

3

2

1

DEVICE: PROJECT: