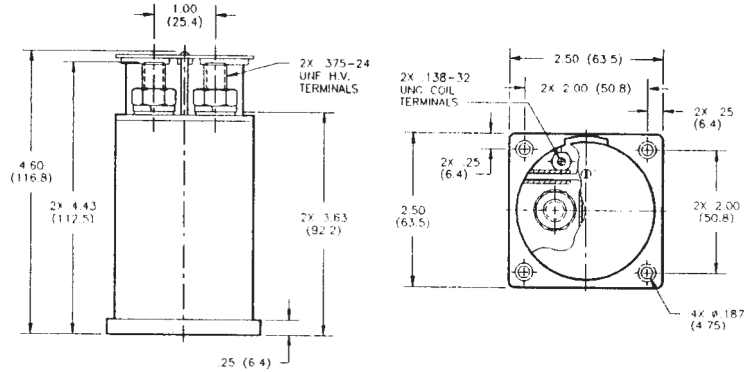


## AP150X (Form X, Electrically Held)

### CZONKA Contactor

#### Product Facts

- 150 A carry, 500 A overload @ 270 Vdc
- Suitable for circuit protection, control, and battery switching
- Versatile power, voltage, and current operating range
- Bi-directional switching
- Electrically held and latching coil versions
- Fast operate and release time
- Low power consumption
- Vacuum-sealed contacts; can operate in harsh environments
- Space-rated version built in accordance with customers SCD
- Meets many requirements of MIL-PRF-32085

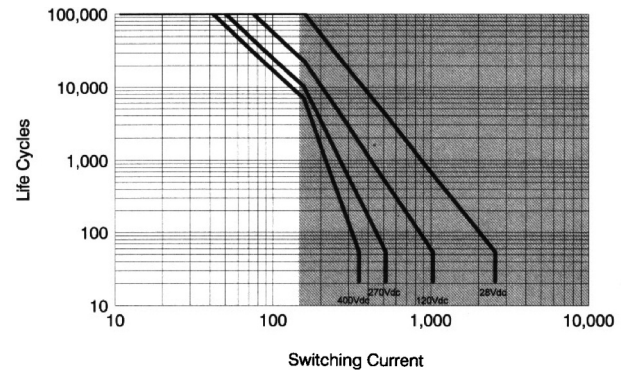


#### Product Specifications

**Contact Arrangement** — AP150X — SPST-NO  
**Contact Form** — AP150X — X  
**Rated Resistive Load @ 270 Vdc** — 150 A  
**Continuous Current Carry, Max.** — 150 A  
**Overload Make & Break @ 270 Vdc** — 400/500 A\*  
**Contact Resistance, Max.** — 1 mohm  
**Dielectric at Sea Level** — Power Terminals to Terminal — 2,000 Vrms  
 Power Terminals to All Other Points — 1,800 Vrms  
**Shock, 11ms, 1/2 Sine (Peak)** — 35 g  
**Vibration, Sinusoidal (55-2000 Hz, Peak)** — 20 g  
**Operating Ambient Temperature Range** — -55°C to +85°C  
**Load Life @ 270 Vdc, Min.** — 10,000 cycles  
**Operate Time (28 Vdc, 25°C)** —  
**Close (Includes Bounce), Typ.** — AP150X — 35 ms  
**Bounce (After Close Only), Max.** — AP150X — 8 ms  
**Open (Includes Arcing), Max.** — AP150X — 10 ms  
**Insulation Resistance @ 500 Vdc, Min.** — Initial/End of Life — 100 mohm/50 mohm  
**Weight, Nominal** — 1.66 lb (0.753 kg)

**Note:**  
 \*500 = at beginning of life which is 0 to 5,000 cycles, 400 = at end of life which is 5,000 to 10,000 cycles.

#### Contact Ratings\*



Maximum continuous current carry = 150 Amps

\*Based on data extrapolated from qualification at 270 Vdc with resistive load. Since each application is unique, user is encouraged to verify rating in actual application.

#### Coil Data

|                              | AP150X     | AP150P           |
|------------------------------|------------|------------------|
| Voltage, Nominal*            | 28 Vdc     | 28 Vdc           |
| Pickup (Close), Max.         | 23 Vdc     | 20 Vdc           |
| Dropout (Open), Max.         | 1.0 Vdc    | 20 Vdc           |
| Coil Resistance @ 25°C (10%) | 52 Ω       | 13 Ω**           |
| Coil Duty, Recommended       | Continuous | 100 ms to Toggle |
| Coil Energy, Max.            | 0.10 J     | 0.10 J           |
| Coil Clamping                | 2.5 x nom. | 500W/ms TVS      |

\*12, 120 Vdc, or other special coil voltages available upon request.

\*\*2 coils are used, both are high common. Switch coil power from low side. High side coil power switch is a special order.

#### Ordering Information

Sample Part Number ▶

Series: AP150 X B 5 7  
 Contact Form: \_\_\_\_\_  
 X = SPST-NO Electrically Held

Coil Voltage: \_\_\_\_\_  
 A = 12 Vdc, Stud Terminals, .138-32  
 B = 28 Vdc, Stud Terminals, .138-32  
 C = 120 Vdc, Stud Terminals, .138-32

Power Terminals: \_\_\_\_\_  
 5 = Stud Terminals, .375-24

Mounting: \_\_\_\_\_  
 7 = Panel Mount

For factory-direct application assistance, dial 800-253-4560, ext. 2055, or 805-220-2055.