

## AP350X "BUBBA" Contactor 500 Amps

### Product Facts

- 500 A carry, 1200 A make, 3000 A break @ 270 Vdc
- Bi-directional power switching
- Auxiliary Contacts
- Built-in coil power economizing — 6 W holding
- Versatile power, voltage, and current operating range
- Excellent for safety disconnect and transfer switch applications
- Suited for circuit protection control
- Hermetically-sealed contacts; can operate in harsh environments
- Designed for main generator loads
- Space-rated version built in accordance with customers SCB
- Meets many requirements of MIL-PRF-32085



### Product Specifications

**Contact Arrangement with Auxiliary Contact (28 Vdc, 0.1 A) —**  
 Form X — SPST-NO  
 Form A — SPST-NO

**Rated Resistive Load @ 270 Vdc, 85°C — 350 A**

**Continuous Current Carry, Max., 25°C — 500 A**

**Overload Current @ 270 Vdc, Max. —**

Make (Closed Into) — 1200 A  
 Break (Open) — 3000 A

**Contact Resistance, Max. — 0.2 mohm**

**Dielectric at Sea Level (< 1mA leakage) —**

Open Power Terminal to Terminal — 2,000 Vrms  
 Closed Power Terminals to All Other Points — 2,000 Vrms

**Shock, 11ms, 1/2 Sine (Peak) — 25 g**

**Vibration, Sinusoidal (55-2000 Hz, Peak) — 10 g**

**Operating Ambient Temperature Range — -55°C to +85°C**

**Load Life @ 270 Vdc, Min. —**  
 See graph above

**Operate Time @ 25°C —**

**Close (Includes Bounce), Typ. — 35 ms**

**Bounce (Occurs When Closing), Max. — 5 ms**

**Open (Includes Arcing), Max. — 20 ms**

**Insulation Resistance @ 500 Vdc, Min. —**

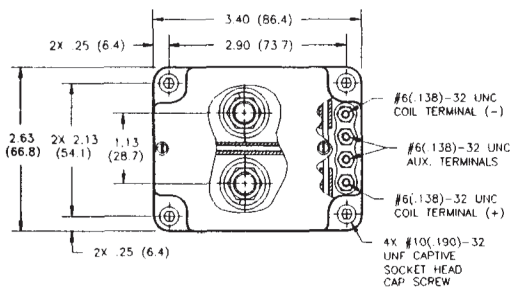
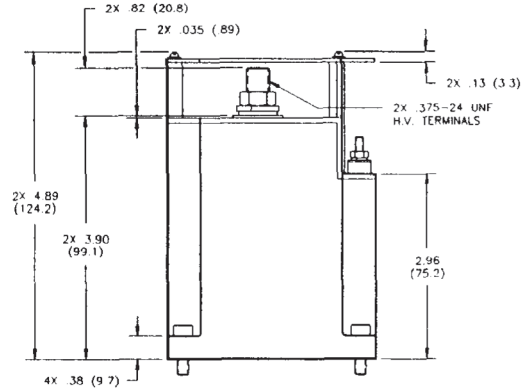
Initial/End of Life — 100 mohm/50 mohm

**Weight, Nominal — 3.35 lb (1.52 kg)**

### Coil Data

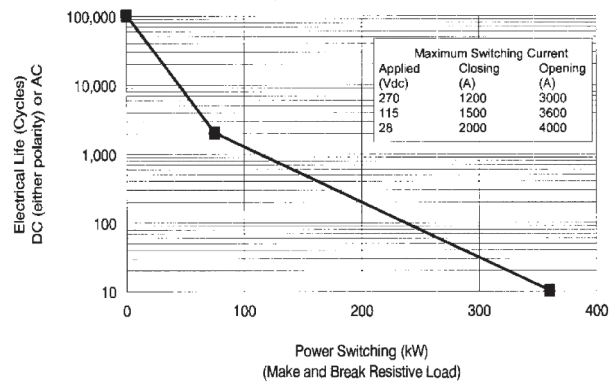
AP350X	
Type Driver	"PWM" Econ.
Voltage, Nominal	28 Vdc
Pickup (Close), Max.	20 Vdc
Dropout (Open), Max.	11 Vdc
Current @ 28 V, 25°C	
Inrush	2.1 A
Holding (Standby)	0.21 A
Inrush Time, Max.	200 ms

For factory-direct application assistance, dial 800-253-4560, ext. 2055, or 805-220-2055.



### Electrical Life Cycles vs Power Switching

(Data from 270Vdc Testing\*)



\*Failure mode: Dielectric withstand voltage test @ 2000 Vdc, power terminal to terminal, leakage exceeds 1.0 A. Current Carry: 500 A @ 25°C. Derate 2.5 A/°C to 350 A @ 85°C for still air, no heat sink, AWG# 00 conductor.

### Ordering Information

Sample Part Number ▶

AP350 X B 5 7

**Series:** \_\_\_\_\_  
**Contact Form:** \_\_\_\_\_  
 X = SPST-NO Double Make

**Coil Voltage:** \_\_\_\_\_  
 B = 28 Vdc, Stud Terminals

**Power Terminals:** \_\_\_\_\_  
 5 = Screw Terminals

**Mounting:** \_\_\_\_\_  
 7 = Panel Mount, captive bolts

Refer to EV500 Sales Drawing for complete specifications.