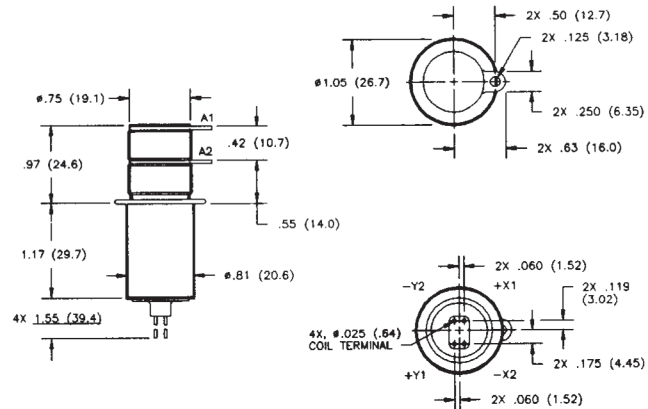


K44P Make & Break Load Switching — 8 kV Relays

Product Facts

- Single pole, single throw contacts with latching actuator
- Vacuum dielectric for power switching low current loads
- 20 G vibration rating
- Carries 50 Amps at DC
- Space rated versions available
- Meets requirements of MIL-R-83725



Product Specifications

Contact Arrangement —

SPST-Latching

Contact Form — P

Test Voltage, DC or 60 Hz (Peak) —
10 kV

Rated Operating Voltage (Peak) —

DC or 60 Hz — 8 kV

2.5 MHz — 7 kV

16 MHz — 6 kV

32 MHz — 4 kV

Continuous Carry Current, Max. —

DC or 60 Hz — 50 A

2.5 MHz — 40 A

16 MHz — 25 A

32 MHz — 20 A

Coil Hi-Pot (Vrms, 60 Hz) — 500 A

Contact Capacitance —

Between Open Contacts — 2.5 pF

Open Contacts to Ground — 2.8 pF

Contact Resistance, Max. —

0.01 ohm

Operate Time, Max. — 5 ms

Release Time, Max. — N/A

Shock, 11ms, 1/2 Sine (Peak) —

50 g

Vibration —

Peak — 20 g (55 to 2000 Hz)

Operating Ambient Temperature

Range — -55°C to +85°C

Mechanical Life — 1 million cycles

Weight, Nominal —

59.53 g (2.1 oz.)

Coil Data

| Volts, Nominal | 26.5 Vdc |
|--------------------------------|--------------|
| Latch & Reset, Max. | 23 Vdc |
| Dropout | N/A |
| Coil Resistance ($\pm 10\%$) | 155 Ω |

Ratings listed are for 25°C, sea level conditions

Ordering Information

Sample Part Number ►

K44 P 3 3 4

Series: _____

Contact Form: _____

P = SPST-Latching

Coil Voltage: _____

3 = 26.5 Vdc, Bus Wire

High Voltage Connections: _____

3 = Solder Connection

Mounting: _____

2 = Flanged

4 = Standard

*See page 7-87 for mounting methods.

For factory-direct application assistance, dial 800-253-4560, ext. 2055, or 805-220-2055.